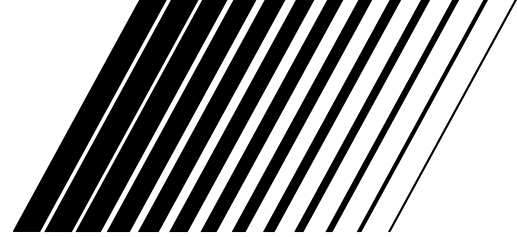
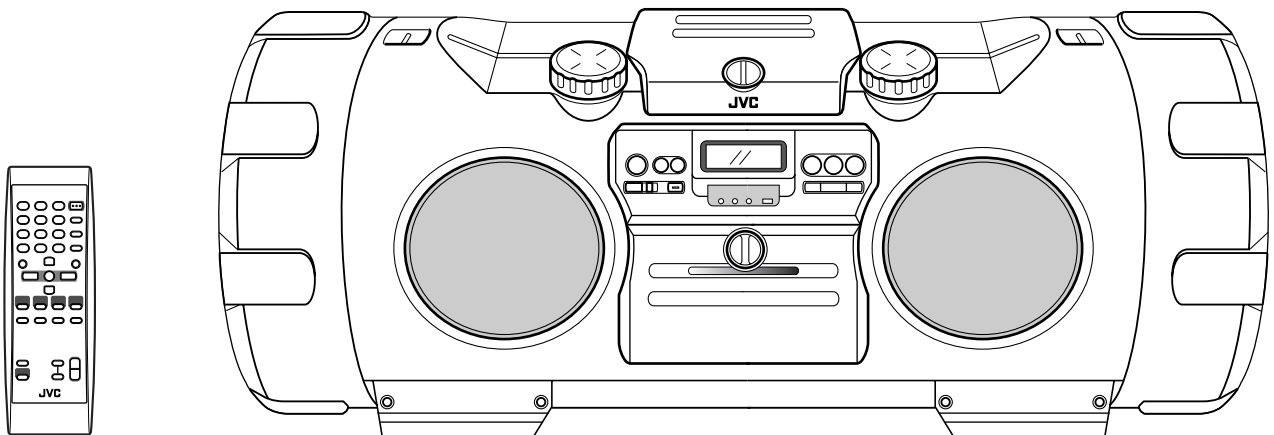


# JVC



## POWERED WOOFER CD SYSTEM

# RV-NB1



**MP3**  
PLAYBACK

COMPACT  
**disc**  
DIGITAL AUDIO

## INSTRUCTIONS

### For Customer Use:

Enter below the Model No. and Serial No. which are located on the rear, bottom or side of the cabinet. Retain this information for future reference.

Model No. \_\_\_\_\_

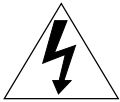
Serial No. \_\_\_\_\_

LVT1265-001A

[J]

# Warnings, Cautions and Others

## Mises en garde, précautions et indications diverses




The lightning flash with arrowhead symbol, within an equilateral triangle is intended to alert the user to the presence of uninsulated "dangerous voltage" within the product's enclosure that may be of sufficient magnitude to constitute a risk of electric shock to persons.




The exclamation point within an equilateral triangle is intended to alert the user to the presence of important operating and maintenance (servicing) instructions in the literature accompanying the appliance.

**WARNING: TO REDUCE THE RISK OF FIRE OR ELECTRIC SHOCK, DO NOT EXPOSE THIS APPLIANCE TO RAIN OR MOISTURE.**

### CAUTION— ON/STANDBY button!

Disconnect the mains plug to shut the power off completely. The  ON/STANDBY button in any position does not disconnect the mains line. The power can be remote controlled.

### ATTENTION— Touche ON/STANDBY!

Déconnectez la fiche secteur pour mettre l'appareil complètement hors tension. La touche  ON/STANDBY dans n'importe quelle position ne déconnecte pas l'appareil du secteur. L'alimentation ne peut pas être commandée à distance.

### CAUTION

To reduce the risk of electrical shocks, fire, etc.:

1. Do not remove screws, covers or cabinet.
2. Do not expose this appliance to rain or moisture.

### ATTENTION

Afin d'éviter tout risque d'électrocution, d'incendie, etc.:

1. Ne pas enlever les vis ni les panneaux et ne pas ouvrir le coffret de l'appareil.
2. Ne pas exposer l'appareil à la pluie ni à l'humidité.

### For U.S.A.

This equipment has been tested and found to comply with the limits for a Class B digital device, pursuant to part 15 of the FCC Rules. These limits are designed to provide reasonable protection against harmful interference in a residential installation. This equipment generates, uses, and can radiate radio frequency energy and, if not installed and used in accordance with the instructions, may cause harmful interference to radio communications. However, there is no guarantee that interference will not occur in a particular installation. If this equipment does cause harmful interference to radio or television reception, which can be determined by turning the equipment off and on, the user is encouraged to try to correct the interference by one or more of the following measures:

Reorient or relocate the receiving antenna.  
Increase the separation between the equipment and receiver.  
Connect the equipment into an outlet on a circuit different from that to which the receiver is connected.  
Consult the dealer or an experienced radio/TV technician for help.

### For Canada/pour le Canada

**CAUTION:** TO PREVENT ELECTRIC SHOCK, MATCH WIDE BLADE OF PLUG TO WIDE SLOT, FULLY INSERT.

**ATTENTION:** POUR EVITER LES CHOCS ELECTRIQUES, INTRODUIRE LA LAME LA PLUS LARGE DE LA FICHE DANS LA BORNE CORRESPONDANTE DE LA PRISE ET POUSSER JUSQU'AU FOND.

### For Canada/pour le Canada

THIS DIGITAL APPARATUS DOES NOT EXCEED THE CLASS B LIMITS FOR RADIO NOISE EMISSIONS FROM DIGITAL APPARATUS AS SET OUT IN THE INTERFERENCE-CAUSING EQUIPMENT STANDARD ENTITLED "DIGITAL APPARATUS," ICES-003 OF THE DEPARTMENT OF COMMUNICATIONS.

CET APPAREIL NUMERIQUE RESPECTE LES LIMITES DE BRUITS RADIOELECTRIQUES APPLICABLES AUX APPAREILS NUMERIQUES DE CLASSE B PRESCRITES DANS LA NORME SUR LE MATERIEL BROUILLEUR: "APPAREILS NUMERIQUES", NMB-003 EDICTEE PAR LE MINISTRE DES COMMUNICATIONS.

## IMPORTANT FOR LASER PRODUCTS

1. CLASS 1 LASER PRODUCT
2. **CAUTION:** Do not open the top cover. There are no user serviceable parts inside the unit; leave all servicing to qualified service personnel.
3. **CAUTION:** Visible and invisible laser radiation when open and interlock failed or defeated. Avoid direct exposure to beam.
4. REPRODUCTION OF LABEL: CAUTION LABEL, PLACED INSIDE THE UNIT.

## IMPORTANT POUR PRODUITS LASER

1. PRODUIT LASER CLASSE 1
2. **ATTENTION:** N'ouvrez pas le couvercle supérieur. Il n'y a aucune pièce réparable par l'utilisateur à l'intérieur de l'appareil; confiez toute réparation à un personnel qualifié.
3. **ATTENTION:** Risque de radiations laser visible et invisible quand l'appareil est ouvert et que le système de verrouillage ne fonctionne pas ou a été mis hors service. Évitez toute exposition directe au rayon.
4. REPRODUCTION DE L'ÉTIQUETTE: ÉTIQUETTE DE PRÉCAUTION PLACÉE À L'INTERIEUR DE L'APPAREIL.

<b>CAUTION:</b> Visible and invisible laser radiation when open and interlock failed or defeated. AVOID DIRECT EXPOSURE TO BEAM.	<b>ADVARSEL:</b> Synlig og usynlig laserstråling når maskinen er åben eller interlocken fejler. Undgå direkte eksponering til stråling.	<b>WARNING:</b> Synlig och osynlig laserstråling när den öppnas och spärren är urkopplad. Betrakta ej strålen.	<b>VARO:</b> Avattaessa ja suojalukitus ohitettuna tai viallisena olet alttiina näkyvälle ja näkymättömälle lasersäteilylle. Vältä säteen kohdistumista suoraan itseesi.
(e)	(d)	(s)	(f)

### CAUTION:

- Do not block the ventilation openings or holes. (If the ventilation openings or holes are blocked by a newspaper or cloth, etc., the heat may not be able to get out.)
- Do not place any naked flame sources, such as lighted candles, on the apparatus.
- When discarding batteries, environmental problems must be considered and local rules or laws governing the disposal of these batteries must be followed strictly.
- Do not expose this apparatus to rain, moisture, dripping or splashing and that no objects filled with liquids, such as vases, shall be placed on the apparatus.

### ATTENTION:

- Ne bloquez pas les orifices ou les trous de ventilation. (Si les orifices ou les trous de ventilation sont bloqués par un journal un tissu, etc., la chaleur peut ne pas être évacuée correctement de l'appareil.)
- Ne placez aucune source de flamme nue, telle qu'une bougie, sur l'appareil.
- Lors de la mise au rebut des piles, veuillez prendre en considération les problèmes de l'environnement et suivre strictement les règles et les lois locales sur la mise au rebut des piles.
- N'exposez pas cet appareil à la pluie, à l'humidité, à un égouttement ou à des éclaboussures et ne placez pas des objets remplis de liquide, tels qu'un vase, sur l'appareil.

Thank you for purchasing the JVC Powered Woofer CD System.

Before operating this system, read this manual carefully and thoroughly to obtain the best possible performance from your system, and retain this manual for future reference.

## Features

Here are some of the things that make your system both powerful and simple to use.

### ■ General

- With JVC's **COMPU PLAY** you can turn on the system and automatically start the radio, disc player, or cassette deck with a single touch. (Only when AC power is used.)
- Shoulder strap and carrying handle
- ACS (Active Clear Sound) circuit for enhanced sound reproduction
- Super woofer volume control that provides powerful bass
- Sound mode control—reproducing various sound fields
- Remote control unit that operates the disc, cassette, and tuner functions
- Locking mechanism for disc and cassette door
- Microphone/guitar input



### ■ Disc playback mode includes Skip Play, Search Play, Repeat Play, Random Play, and Program Play.

### ■ Cassette player having full logic cassette mechanism, auto reverse, and auto tape mechanism.

### ■ A 45-station preset capability (30 FM and 15 AM) in addition to auto-seek and manual tuning.

### ■ Clock/timer functions, timer on/off with preset volume function, and sleep timer.

## IMPORTANT CAUTIONS

### 1. Where to place the system

- Select a place which is level, dry and neither too hot nor too cold (between 5°C and 35°C or 41°F and 95°F).
- Leave sufficient distance between the system and a TV.
- Do not use the system in a place subject to vibrations.

### 2. Power cord

- Do not handle the power cord with wet hands!
- Some power is always consumed as long as the power cord is connected to the wall outlet.
- When unplugging the system from the wall outlet, always pull the plug, not the power cord.

### 3. When carrying the system

- Remove a disc from the system.
- Disconnect all the cords from the system.

### 4. Malfunctions, etc.

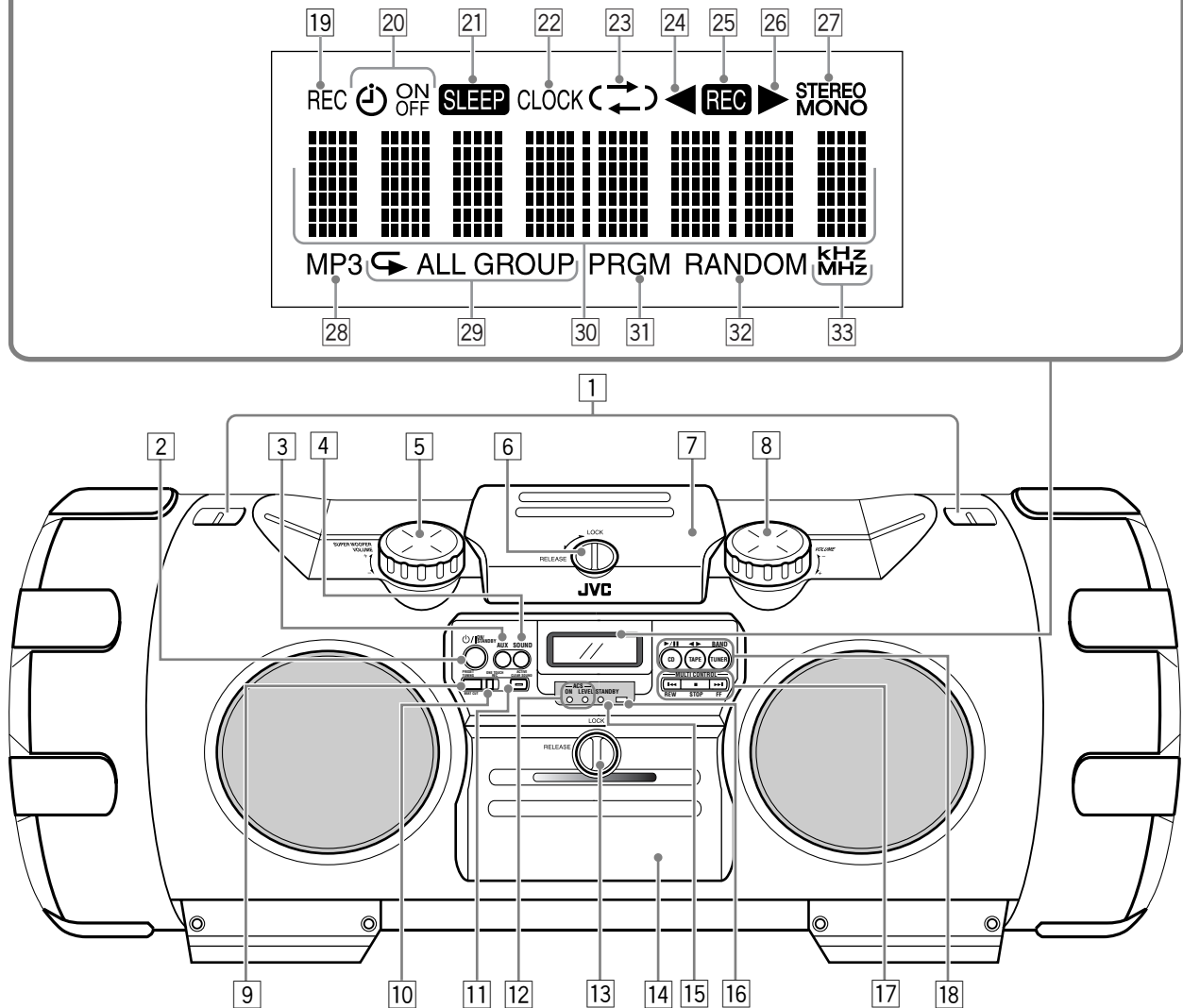
- There are no user serviceable parts inside. In case of system failure, unplug the power cord and consult your dealer.
- Do not insert any metallic object into the system.
- The system is not waterproof or dust proof.

## Table of contents

Features .....	1	Recording.....	14
IMPORTANT CAUTIONS.....	1	Listening to an auxiliary equipment.....	16
Index of parts and controls .....	2	Using the microphone/guitar .....	16
Getting started.....	4	Using the timer .....	17
Basic operations .....	7	Care and maintenance.....	19
Listening to radio .....	9	Troubleshooting .....	20
Playing back discs .....	10	Specifications.....	20
Playing back tapes .....	13		

# Index of parts and controls

## Display window



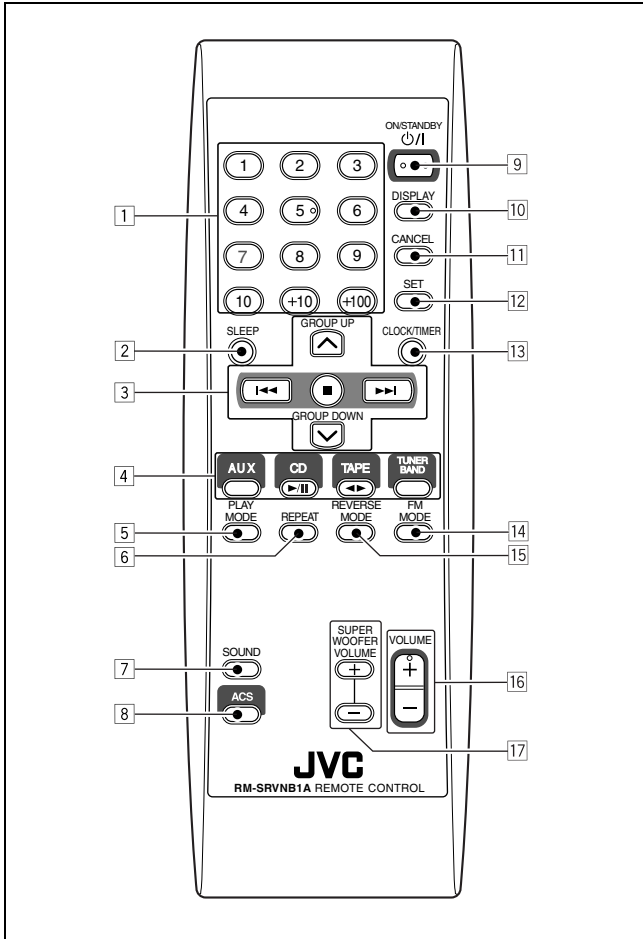
See pages in parentheses for details.

- 1 Shoulder strap hooks (4)
- 2 **⏻/⏪** ON/STANDBY button (7)
- 3 AUX button (3, 16)
  - Pressing this button also turns on the unit.
- 4 SOUND button (8)
- 5 SUPER WOOFER VOLUME +/- control knob (8)
- 6 LOCK/RELEASE knob (for disc) (10)
- 7 Disc compartment door (10)
- 8 VOLUME +/- control knob (7)
- 9 PRESET TUNING/BEAT CUT button (9, 15)
- 10 ONE TOUCH REC button (15)
- 11 ACTIVE CLEAR SOUND button (8)
- 12 ACS (Active Clear Sound) indicators (8)
  - ON, LEVEL
- 13 LOCK/RELEASE knob (for deck) (13)
- 14 Cassette holder (13)
- 15 STANDBY indicator (7)
- 16 Remote sensor (4)
- 17 MULTI CONTROL buttons (9 – 15)
  - ◀◀ REW (rewind), ■ STOP, ▶▶ FF (fast-forward)
- 18 Source and play mode buttons (3, 9 – 15)
  - CD ▶/⏪, TAPE ◀▶, TUNER BAND
  - Pressing one of these buttons also turns on the unit.

## Display window

- 19 REC indicator (18)
- 20 Timer indicators (18)
  - ⏻ (timer), ON, OFF
- 21 SLEEP indicator (17)
- 22 CLOCK indicator (8, 17)
- 23 ◀◀ (reverse mode) indicator (13 – 15)
- 24 ◀ (reverse) tape direction indicator (13 – 15)
- 25 **REC** indicator (15)
- 26 ▶ (forward) tape direction indicator (13 – 15)
- 27 FM mode indicators (9)
  - STEREO, MONO
- 28 MP3 indicator (11)
- 29 Repeat indicators (12)
  - ◀, ALL, GROUP
- 30 Main display
- 31 PRGM (program) indicator (12)
- 32 RANDOM indicator (12)
- 33 Frequency unit indicators (8 – 9)
  - kHz, MHz

## Remote control



See pages in parentheses for details.

- 1 Number buttons (9, 11)
- 2 SLEEP button (17)
- 3 Multi control buttons (9 – 15, 17 – 18)
  - ^ GROUP UP, v GROUP DOWN
  - ◀◀, ■, ▶▶
- 4 Source buttons (3, 9 – 16)
  - AUX, CD ▶/||, TAPE ◀▶, TUNER BAND
  - Pressing one of these buttons also turns on the unit.
- 5 PLAY MODE button (12)
- 6 REPEAT button (12)
- 7 SOUND button (8)
- 8 ACS (Active Clear Sound) button (8)
- 9 ON/STANDBY button (7, 17 – 18)
- 10 DISPLAY button (8)
- 11 CANCEL button (12, 18)
- 12 SET button (10, 17 – 18)
- 13 CLOCK/TIMER button (17 – 18)
- 14 FM MODE button (9)
- 15 REVERSE MODE button (13)
- 16 VOLUME +/- buttons (7)
- 17 SUPER WOOFER VOLUME +/- buttons (8)

## COMPU PLAY — One Touch Operation

With One Touch Operation you can play a disc, a tape, or turn on the radio with a single press of the play button for that function. The system turns on and starts playing the source if it is ready.

The COMPU PLAY buttons are: **On the system and remote control**

- CD ▶/|| button
- TAPE ◀▶ button
- TUNER BAND button
- AUX button

**Note:** The COMPU PLAY feature is not effective when the system is operated on batteries or car battery (DC12V).

# Getting started

## Accessories

Check that you have all the following items, which are supplied with the system.

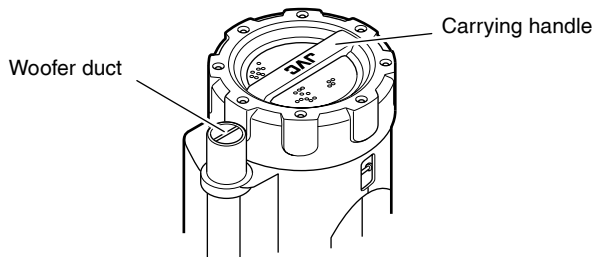
- Power cord (1)
- Remote control (1)
- Shoulder strap (1)

If any of these items are missing, contact your dealer immediately.

## Carrying the system

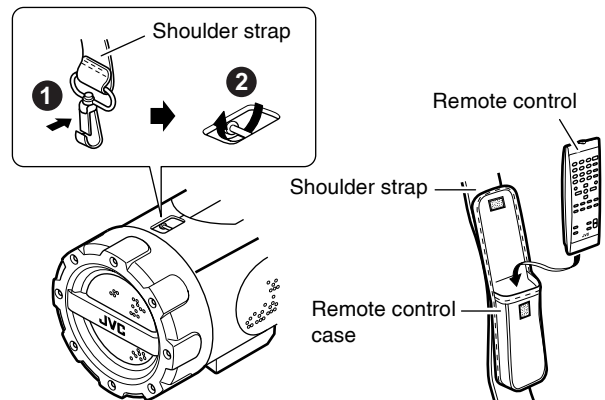
### ■ Using the carrying handles

Be sure to hold both handles when you carry the system. If you carry the system by only one handle, because of the length of the system, the end may drag on the ground and be damaged as a result. Do not lift the system by the woofer ducts, and do not insert any metallic objects into them.



### ■ Using the shoulder strap

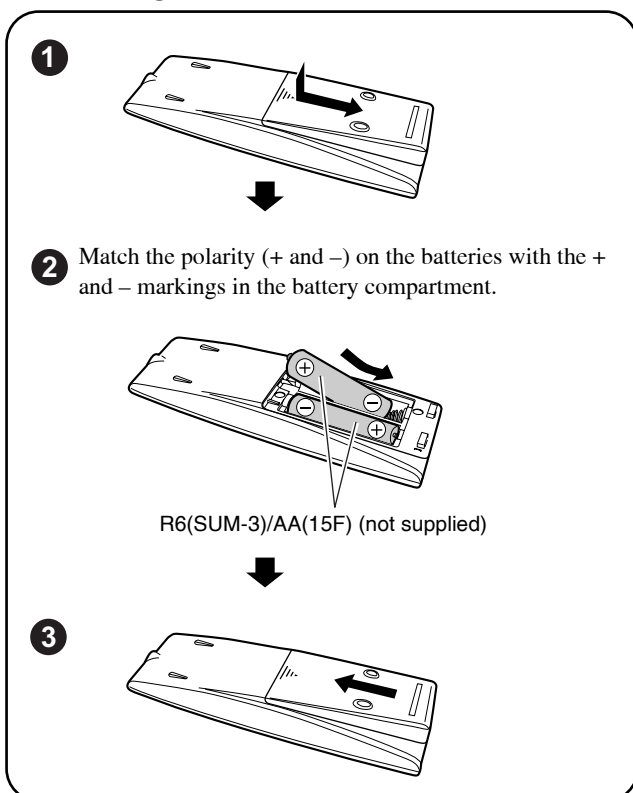
Attach the supplied shoulder strap (adjustable in length) to each end of the system as illustrated.



To detach the shoulder strap, press in the metal fitting and unhook it from the shaft.

## Using the remote control — RM-SRVNB1A

### ■ Installing the batteries



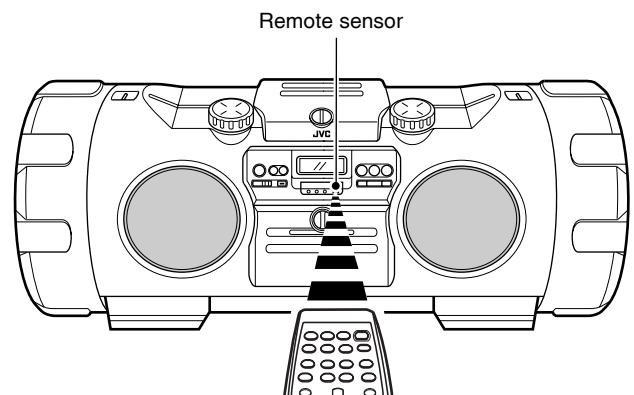
### CAUTION:

To avoid battery leakage or explosion:

- Remove batteries when the remote control is not in use for an extended period of time.
- When you need to replace the batteries, replace both batteries at the same time with new ones.
- Do not use different types of batteries together.

Point the remote control at the remote sensor on the system's control panel (from a distance of up to 7 m (23 feet)). If you point the remote control from the slant direction, the distance will be shortened.

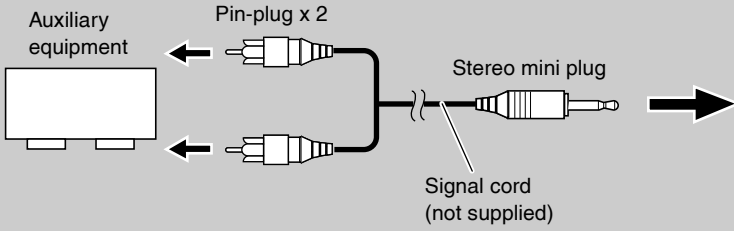
- Do not expose the remote sensor to strong direct sunlight or artificial lighting.
- Make sure there are no obstacles between the remote sensor and the remote control.



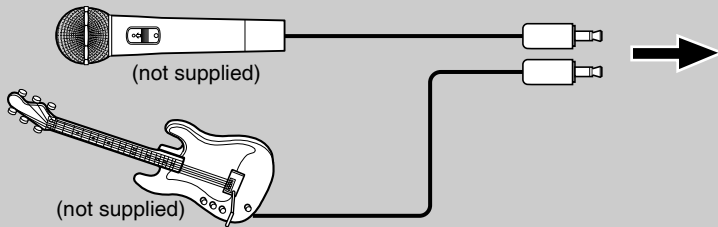
# Connections

**CAUTION:** Make all connection before plugging the system into an AC power outlet.

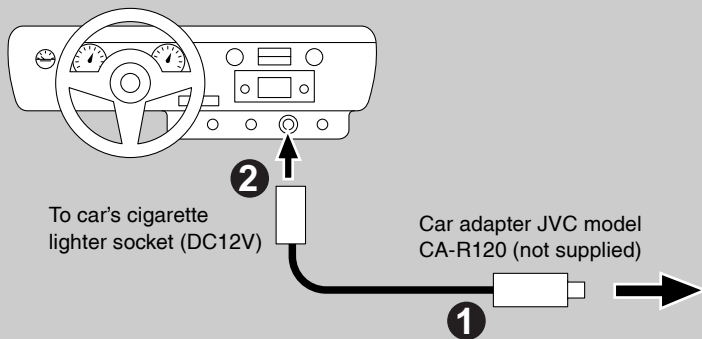
## ■ Connecting the auxiliary equipment



## ■ Connecting the microphone/guitar



## ■ Connecting to the car battery

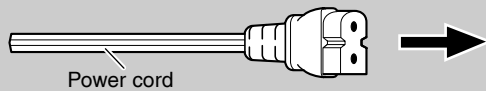


**CAUTION:**

- Be sure to use the specified car adapter (JVC model CA-R120) to prevent mishaps or damage resulting from different polarity design.
- For safety, stop the car before performing operations.
- Be sure to start the engine when you use the car adapter; otherwise, the car battery will be exhausted.
- During transport, stabilize the system in a box, etc.
- To prevent malfunctions, do not leave the system in a car for a long time.
- If the power is supplied through the car battery, the display will be blank with the system turned off (at standby).

**Unplug the AC power cord from the system to supply the power through the car battery; otherwise, the system does not work.**

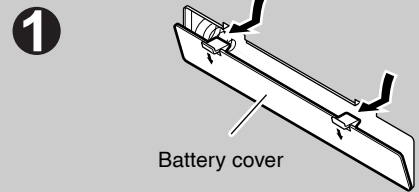
## ■ Connecting the AC power cord



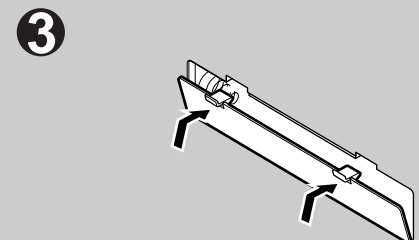
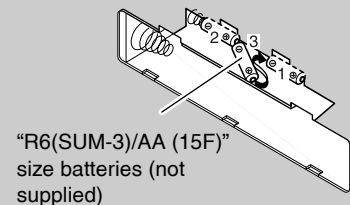
**CAUTIONS:**

- **ONLY USE THE JVC POWER CORD PROVIDED WITH THIS SYSTEM TO AVOID MALFUNCTION OR DAMAGE TO THE SYSTEM.**
- **BE SURE TO UNPLUG THE POWER CORD FROM THE OUTLET WHEN GOING OUT OR WHEN THE SYSTEM IS NOT IN USE FOR AN EXTENDED PERIOD OF TIME.**

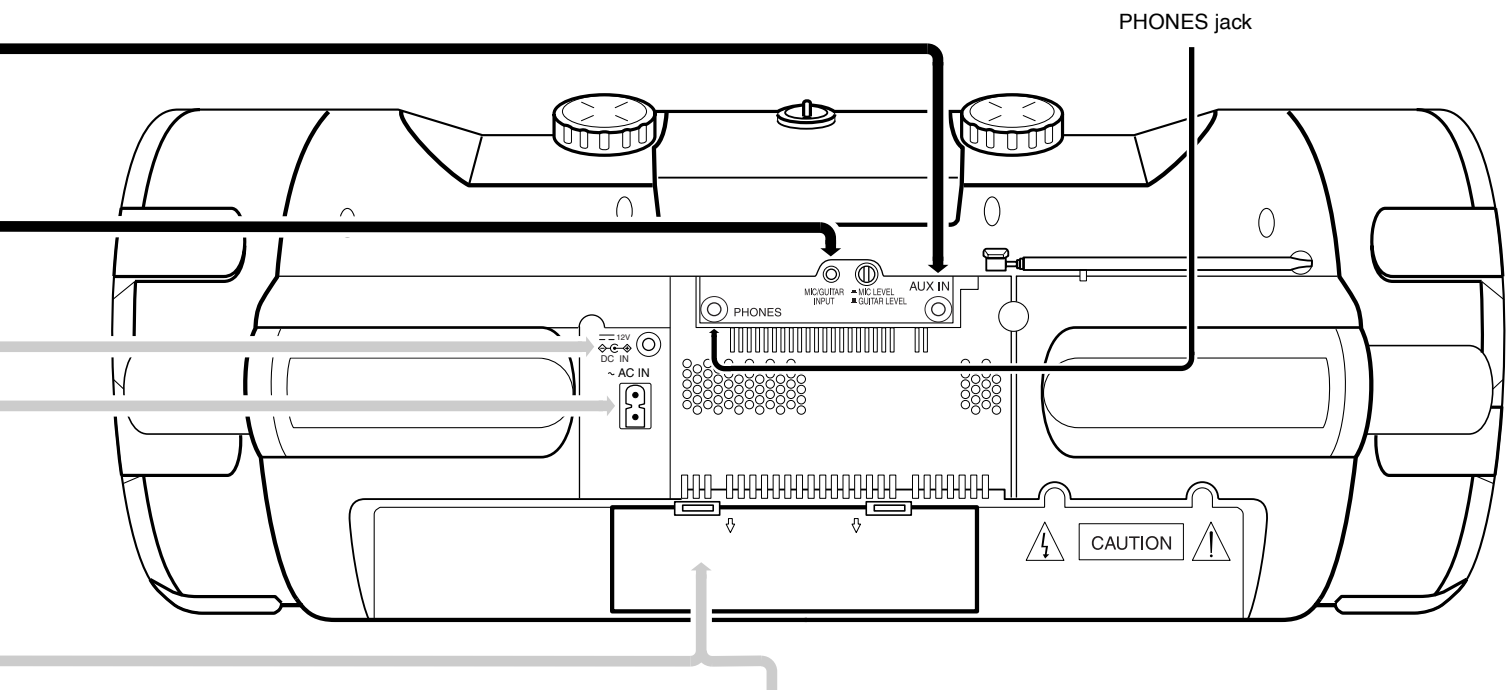
## ■ Memory backup batteries



- 2 Match the polarity (+ and -) on the batteries with the + and - markings in the battery compartment.







To remove the batteries, remove battery “3” first.

**Notes:**

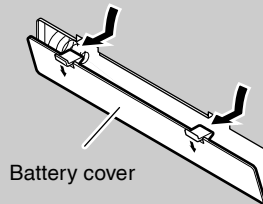
- The memory backup batteries will not be consumed as long as the power is supplied from an AC outlet, loaded 10 batteries, or car battery (DC12V). However, if no power is supplied to the system, the memory backup batteries should be replaced with new ones approximately every 12 months to securely maintain the contents of the memory.
- Before replacing the memory backup batteries, always connect the AC power cord to the system to prevent the contents of memory from being erased.
- When a power failure occurs, the time indication disappears from the display to save the battery power of the memory backup batteries.

**CAUTION:**

- To avoid battery leakage or explosion:
- When you need to replace the batteries, replace all batteries at the same time with new ones. Before replacing, you need to supply AC power to the system.
  - Do not use an old battery with new ones.
  - Do not use different types of batteries together.

**■ Operating the system on batteries**

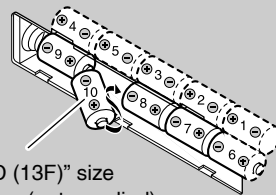
**1**



Battery cover

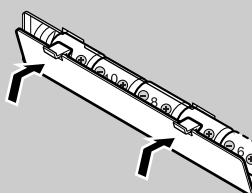
**2**

Match the polarity (+ and -) on the batteries with the + and - markings in the battery compartment.



“R20/D (13F)” size batteries (not supplied)

**3**



To remove the batteries, remove battery “10” first.

**Notes:**

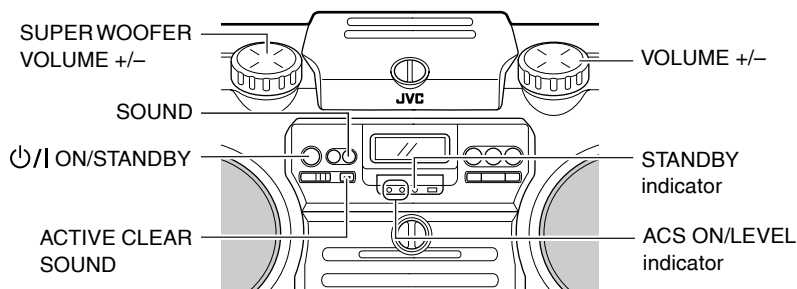
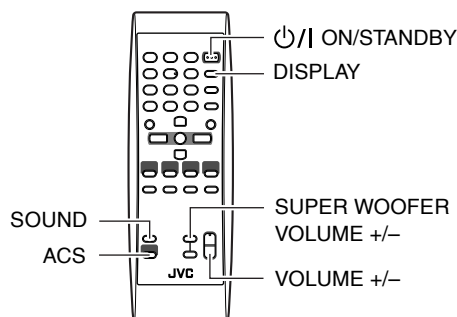
- When you operate the system on mains (AC) power or on car battery (DC12V), the power source automatically switches from batteries to AC or DC12V. However, you should remove the 10 batteries when operating on AC power or car battery (DC12V).
- When the batteries are exhausted, the following symptoms will occur:
  - Mistracking occurs during disc playback.
  - Sounds are distorted intermittently during tape playback.
  - “DC OFF” flashes on the display, then the power goes off.
 If this happens, replace the batteries.
- It is recommended to use AC power cord when recording important material or listening to a disc.

**CAUTION:**

- To avoid battery leakage or explosion:
- Remove the 10 batteries when the system is not in use for an extended period of time.
  - When you need to replace the batteries, replace all batteries at the same time with new ones.
  - Do not use different types of batteries together.
  - If the power is supplied through the batteries, the display will be blank with the system turned off (at standby).

**Unplug the AC power cord from the system to supply the power through the batteries; otherwise, the system does not work.**

# Basic operations



## Turning the power on and off

**Note:** The lighting condition for the STANDBY indicator and the display differs depending on the power source.

Power source	STANDBY indicator/display
AC power	<ul style="list-style-type: none"> <li>The STANDBY indicator lights when power is turned off.</li> <li>Backlighting of the display is illuminated when power is turned on.</li> </ul>
Batteries or car battery (DC12V)*	<ul style="list-style-type: none"> <li>The STANDBY indicator does not light.</li> <li>Backlighting of the display is not illuminated.</li> <li>With the system turned off (at standby), no indication is shown on the display.</li> </ul>

\* If no source is playing and no operation is done for about 4 minutes, "DC OFF" starts flashing on the display for about one minute before the system turns off automatically (except when the source is FM/AM or AUX, or when the microphone (or guitar) is used).

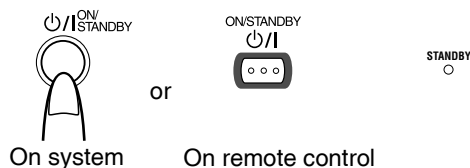
## Turning on the system

Press **ON/STANDBY**.

• When the system is operated on batteries or car battery (DC12V), press **ON/STANDBY** on the system.

The STANDBY indicator goes out when the system is operated on AC power.

The display comes on and the system is ready to continue in the mode it was in when the power was last turned off.

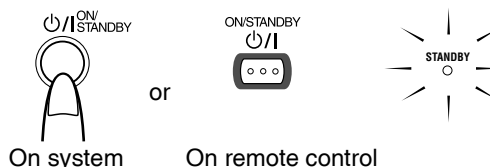


## Turning off the system

Press **ON/STANDBY** again.

The STANDBY indicator lights up when the system is operated on AC power.

- When the AC power is used, the CLOCK indicator and the time are displayed without backlighting.



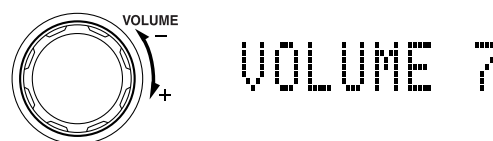
- Some power is always consumed even though power is turned off (called standby mode).
- To disconnect the system from mains (AC) supply completely, unplug the AC power cord from the AC outlet. When you unplug the AC power cord, the clock will be reset to "AM12:00" if no memory backup batteries are installed.

## Adjusting the volume

You can adjust the volume level between 0 and 50.

## Using the system

Turn the VOLUME +/- control clockwise to increase the volume or turn it counterclockwise to decrease the volume.



## Using the remote control

Press VOLUME + to increase the volume or press VOLUME - to decrease it.

When you press and hold VOLUME + or -, the volume changes rapidly.

**CAUTION: DO NOT start playing any source without first setting the volume to minimum, as a sudden blast of sound can damage your hearing, speakers and/or headphones.**

## For private listening

Connect a pair of headphones to the PHONES jack on the rear of the system (see page 6). No sound comes out of the speakers.

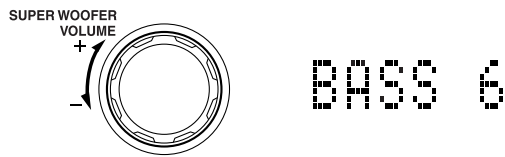
Be sure to turn down the volume before connecting or putting on headphones.

## Adjusting the super woofer volume

During play, you can adjust the bass level between BASS 1 (minimum) and BASS 6 (maximum).

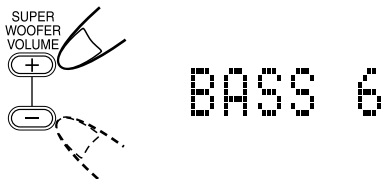
### Using the system

Turn the SUPER WOOFER VOLUME +/- control clockwise to increase the bass level or turn it counterclockwise to decrease the bass level.



### Using the remote control

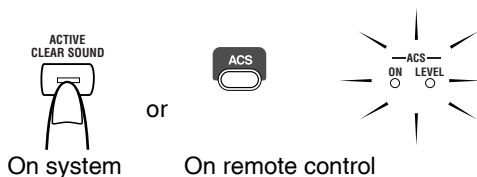
Press SUPER WOOFER VOLUME + to increase the bass level or press SUPER WOOFER VOLUME - to decrease it.



**Note:** This function is not effective when the headphones are in use.

## Activating clear sound

The Active Clear Sound (ACS) circuit emphasize high-frequency sound without lowering the signal-noise ratio, while adjusting its output according to the input signal level. This results in a better balance between the high-frequency sound and the low-frequency heavy bass.



Press ACS (active clear sound) on the system or on the remote control to turn it on or off. When it is turned on, the ACS ON indicator lights in red.

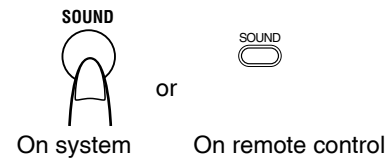
The ACS LEVEL indicator blinks in green according to the input signal level.

## Selecting the sound mode

Sound modes can be selected to enhance the type of music being played.

Press SOUND to select the sound mode.

Each time you press the button, the sound mode changes as follows:



### Sound mode selection:

**BEAT:** Set to this position for music with a heavy beat, such as rock and disco music.

**POP:** Set to this position for light music including popular and vocal music.

**CLEAR:** Set to this position for crisp and clear sounding music with transparent highs.

**FLAT (no effect):** Set to this position when listening to classical music.

## Showing the time

While the power is turned on, you can see the current time (clock) at any time, as follows.

### Using the remote control

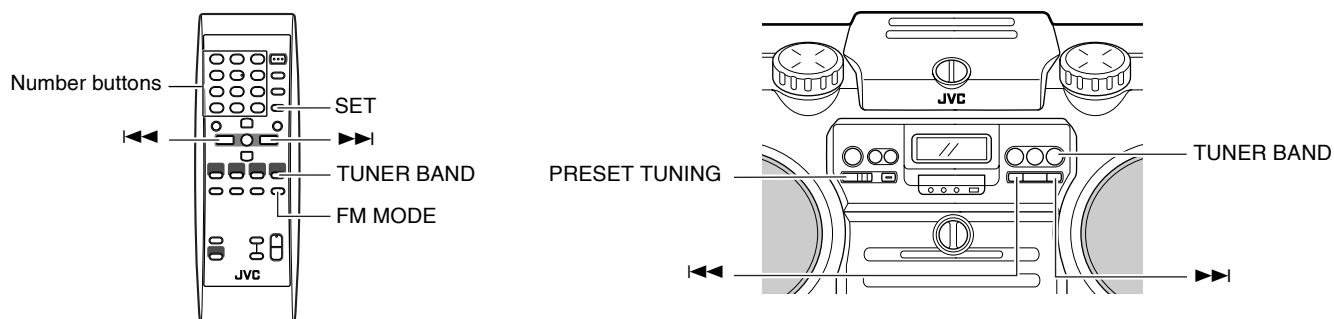
Press DISPLAY. Each time you press the button, the display changes as follows:



Current sound source (e.g. FM103.5 MHz) → (clock) → (back to the beginning)

**Note:** To let the clock work, you need to set the clock first. (See "Setting the clock" on page 17.)

# Listening to radio



You can listen to FM and AM stations. Stations can be tuned in manually, automatically, or from preset memory storage.

■ Before listening to the radio, fully extend the FM telescopic antenna.

## Tuning in to a station

### 1. Press TUNER BAND.

The band and frequency you were last tuned into appear on the display.

Each time you press the button, the band changes as follows:

**FM** → **AM** → (back to the beginning)

### 2. Select a station using one of the following methods.

• When you tune into an FM stereo broadcast, the STEREO indicator lights up and you can hear stereo effect.

**If an FM stereo broadcast is hard to receive or noisy**, press FM MODE on the remote control. The MONO indicator lights up and the sound becomes monaural, but the reception improves. When you tune in to another station, the MONO indicator goes off and stereo effect restores automatically.

**Note: AM broadcasts are monaural.**

#### ■ Manual Tuning

Press **◀◀** or **▶▶** repeatedly to move from frequency to frequency until you find the station you want.

OR

#### ■ Auto Tuning

Press and hold **◀◀** or **▶▶** for one second or more.

The frequency changes automatically until a station frequency is found.

OR

#### ■ Preset Tuning (possible only after presetting stations)

Select the desired preset number (displayed as "P-XX" on the display) using PRESET TUNING on the system or the number buttons on the remote control. After one second, the display will show the band frequency.

FM P-12 → FM 87.5 <sup>MHz</sup>

(After one second)

**PRESET TUNING button:** Each time you press the button, the preset number increases.

#### Number buttons:

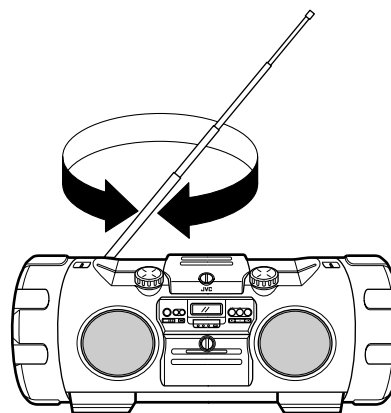
To select P-5, press 5.

To select P-15, press +10 then 5.

To select P-20, press +10 once then press 10.

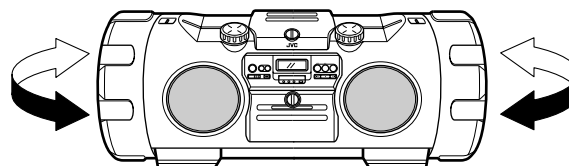
### Notice: To adjust the reception condition

**For FM:** Adjust the FM telescopic antenna's length, angle and direction until the best reception is obtained.



**For AM:** Change the direction of the system to obtain the best reception.

Placing the system near the window, for example, will improve AM reception.



## Presetting stations

You can preset up to 30 FM stations and 15 AM stations.

**Note:** Preset numbers may have been set to factory test frequencies prior to shipment. This is not a malfunction. You can preset the stations you want into memory by following one of the presetting methods below:

### Using the remote control only

There is a time limit in doing the following steps. If the setting is canceled before you finish, start again from step 3.

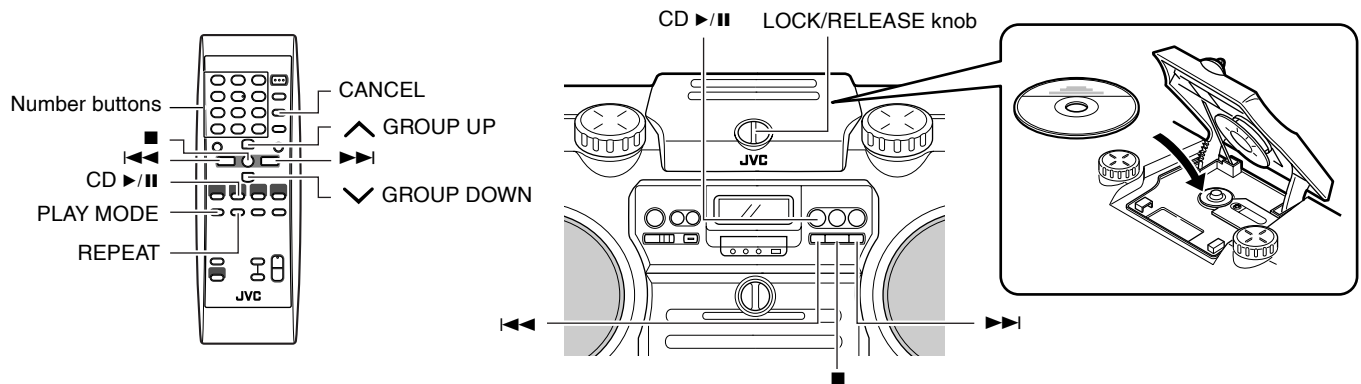
1. Select a band (either AM or FM) by pressing **TUNER BAND**.
2. Press **◀◀** or **▶▶** to tune in to a station.
3. Press **SET**.

The preset station number starts flashing.

4. Press the number buttons to select the preset number you want.
5. Press **SET**.  
"STORED" appears on the display and the station is stored.
6. Repeat above steps 1. to 5. for each station you want to store into memory with a preset number.  
To change the preset stations, repeat the same steps as above to overwrite a new station.

**CAUTION:** To prevent the preset stations from being erased because of a power failure, etc., install memory backup batteries in the system. (See pages 5 and 6.)

## Playing back discs

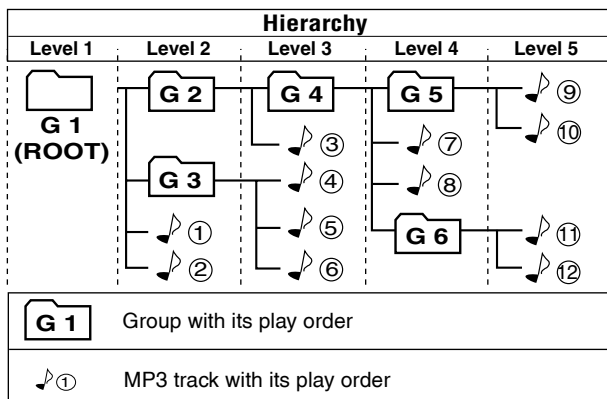


This system has been designed to play back the following discs—CD, finalized CD-R/CD-RW (recorded in audio CD format) and CD-R/CD-RW (in MP3 format).

- This system is not compatible with the other discs such as DVD, DVD-R, and DVD-RW.

### Notes on MP3:

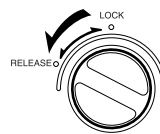
- The system can only recognize files (tracks) with "MP3" or "mp3" as the extensions, which can be in any combination of upper and lower case.
- It is recommended that you record your material at a 44.1 kHz sampling rate, using the 128 kbps data transfer rate.
- You can play back the discs containing the tracks in music CD format or MP3 files in ISO 9660 format.
- Some MP3 tracks or discs may not be played back because of their characteristics or recording conditions.
- MP3 discs require a longer readout time than normal discs.



- This system recognizes up to 999 tracks on a disc (or less depending on the recording condition of a disc).

## Setting a disc

1. Turn the **LOCK/RELEASE knob** counterclockwise to open the disc compartment door.



2. Place a disc, with its label side up as shown above.
3. Close the disc compartment door and turn the knob to "LOCK" position.

To remove the disc, open the disc compartment door in stop mode.

- You can place an 8 cm disc without an adapter.
- If the disc cannot be read correctly (because it is scratched, for example), "NO PLAY" or "NO DISC" appears on the display.
- You can place a disc while listening to the other source.

## Using the disc player—Normal Play

### To play a disc

#### 1. Set a disc.

#### 2. Press CD ►/II.

The first track of the disc starts playing.

##### For CDs:

Track number      Playback time  
1      005

##### For MP3 discs:

MP3 indicator      27      009

- When playing an MP3 disc, the file name (then ID3 Tag if any) is displayed at the beginning of each track.
- If no disc is inserted, “NO DISC” appears on the display and the system remains in stop mode.
- The system automatically stops when the last track of the disc has finished playing.

**To stop playing the disc**, press ■.

The following information for the disc is displayed.

##### For CDs:

Total track number      Total playback time  
18      5045

##### For MP3 discs:

Total group number\*      Total track number  
G30      T110  
MP3 indicator      ●MP3

\* If a disc includes more than 99 groups, “G --” will appear on the display.

**To pause**, press CD ►/II. The playback time blinks on the display.

**To cancel pause**, press the same button again. Playback continues from the point where it was paused.

**Note:** Do not turn the LOCK/RELEASE knob during playback.

### Skip Play

During playback, press ◀◀ or ▶▶ to select the track you want to play.

- Press ▶▶ once to skip to the beginning of the next track.
- Press ◀◀ to skip to the beginning of the track being played. Press ◀◀ twice quickly to skip to the beginning of the previous track.

You can also select a track in stop mode with the same buttons.

**For CD:** Selected track and its playback time are shown on the display.

**For MP3:** Group and track numbers (then ID3 Tag if any) are shown on the display.

**To start playback**, press CD ►/II.

### Search Play

Press and hold ◀◀ or ▶▶, during playback, will fast forward/backwards the disc so you can quickly find a particular passage in the track you are listening to. During search play, you can hear the sound of approx. one forth level.

### To locate a track directly using the remote control only

Press the number buttons to directly play a track.

- To directly play track 5, press 5.
- To directly play track 15, press +10 then 5.
- To directly play track 20, press +10 once then press 10.

#### (Only for MP3 discs)

- To directly play track 109, press +100 once then press 9.
- To directly play track 125, press +100, +10, +10 then 5.

### To select a group (for MP3 disc) using remote control only

While playing an MP3 disc, press ^ GROUP UP or v GROUP DOWN to select the group you want to play.

- Press ^ GROUP UP to skip to the next group.
  - Press v GROUP DOWN to skip to the previous group.
- You can also select a group in stop mode with the same buttons.

**To play the group after selection**, press CD ►/II.

## Programming the playing order of the tracks

### Using the remote control

- You can program up to 50 tracks in any desired order including the same tracks.
- You can only make a program when the system is stopped.
- While making a program, you cannot specify a group number to select a track.

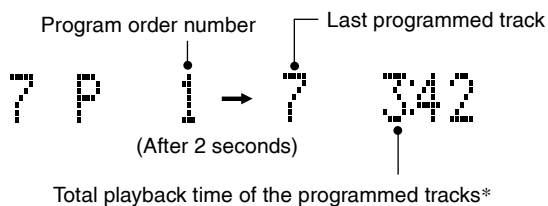
- 1. Set a disc.**
- 2. Press CD ►/II.**
- 3. Press ■ to stop the disc.**
- 4. Press PLAY MODE repeatedly to select "PROGRAM".**

The system enters the programming mode and the PRGM indicator lights up.

- 5. Press the number buttons to select the track to program.**

- For detailed operations, see "To locate a track directly using the remote control only" on page 11.

**Example:** for track 7, press 7.



- \* Total playback time will not appear while making a program using an MP3 disc.

- 6. Repeat step 5. to select other tracks for the program.**

- To cancel the last track programmed, press CANCEL once.

- 7. Press CD ►/II.**

The system plays the tracks in the order you have programmed them.

- You can skip to a particular program track by pressing ◀◀ or ▶▶ during program play.

#### While stopped:

- **To confirm the programmed tracks**, press ◀◀ or ▶▶ repeatedly; the tracks making up the program will successively be displayed in the programmed order.
  - To add a track to the end of the program, simply press the number buttons.
- **To delete the tracks in the program**, press CANCEL repeatedly. Each time you press the button, the last track will be erased.
- **To delete the entire program**, press and hold CANCEL until "CLEAR!" appears on the display.
  - Turning off the power will clear the program.
- **To exit from program mode**, press PLAY MODE repeatedly until the track number and total playback time appear on the display.

Each time you press the button, the play mode changes as follows:

Normal play → **PROGRAM** → **RANDOM** → (back to the beginning)

#### Note:

(For CDs) If the total playback time of the programmed tracks exceeds 99 minutes 59 seconds, "-- : --" will appear on the display.

## Random play

The tracks will play in no special order when you use this mode.

### Using the remote control

- 1. Set a disc.**
- 2. Press CD ►/II.**
- 3. Press ■ to stop the disc.**
- 4. Press PLAY MODE repeatedly to select "RANDOM".**

The RANDOM indicator lights up on the display.

- 5. Press CD ►/II.**

The tracks are played in random order once.

**To skip a track during playback**, press ▶▶ to skip to another track in the random sequence. The ◀◀ button works only to go back to the beginning of the current track.

#### While stopped:

- **To exit from random mode**, press PLAY MODE repeatedly until the track number and total playback time appear on the display.

Each time you press the button, the play mode changes as follows:

Normal play → **PROGRAM** → **RANDOM** → (back to the beginning)

## Repeating tracks

You can repeat the tracks or individual track as many times as you like.

### Using the remote control

#### Press REPEAT.

Each time you press the button, repeat indicator changes as follows:

- Repeat mode remains in effect even when you change the play mode.

#### For CDs:

↺ ALL → ↺ → canceled → (back to the beginning)

↺ ALL : Repeats all the tracks on the disc.

↺ : Repeats the current track.

#### For MP3 discs:

↺ ALL → ↺ GROUP → ↺ → canceled → (back to the beginning)

↺ ALL : Repeats all the tracks on the disc.

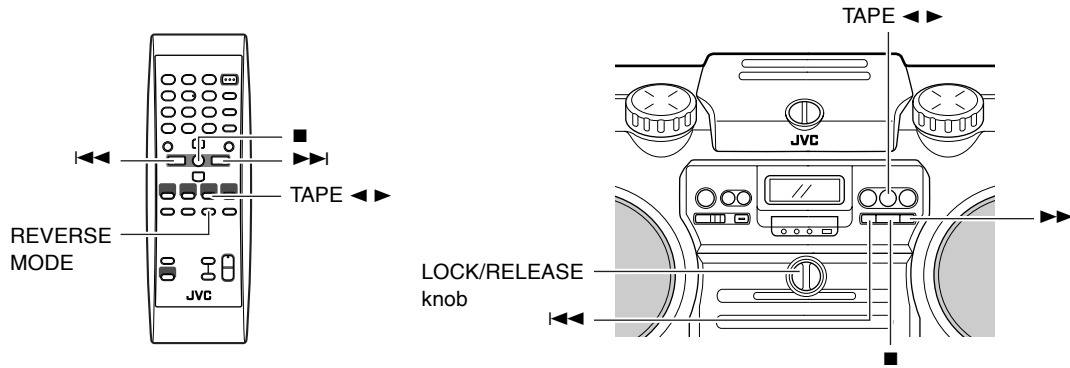
↺ GROUP : In normal play mode, repeats all the tracks in a group.

In program and random play modes, group repeat cannot be selected.

↺ : Repeats the current track.

**To exit from repeat mode**, press REPEAT until the repeat indicator on the display goes out.

# Playing back tapes

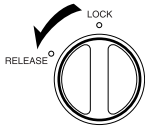


With automatic tape direction, you can listen to type I or II tapes without having to change any settings.

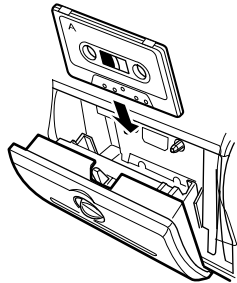
The use of tapes longer than 120 minutes is not recommended, since characteristic deterioration may occur and these tapes easily jam in the pinch-rollers and the capstans.

## Regular play

1. Turn the **LOCK/RELEASE knob counterclockwise to open the cassette holder.**



2. Put the cassette in, with the side you want to listen facing you.



3. Close the holder gently and turn the knob to **"LOCK"** position.

4. Press **TAPE ◀ ▶**.

The tape is played in the direction shown by the tape direction indicator.

▶ **(Forward playback):** The side of the tape facing you is played back.

◀ **(Reverse playback):** The opposite side of the tape is played back.

5. If you need to change the playback direction, press **TAPE ◀ ▶**.

The opposite side tape direction indicator lights up and the tape playback direction changes.

To stop playing, press ■.

To remove the tape, stop the tape, and open the cassette holder by turning the LOCK/RELEASE knob to the "RELEASE" position.

### Notes:

- Do not turn the LOCK/RELEASE knob during playback.
- When no tape is loaded in the deck, "NO TAPE" appears on the display.

## To fast-wind/rewind a tape

Press ▶▶ or ◀◀ to fast-wind/rewind the tape.

- The cassette deck automatically stops when the tape reaches its end.

## Reverse mode

You can set a tape to play just one side, both sides in succession, or both sides continuously.

## Using the remote control

### Press REVERSE MODE.

Each time you press the button, reverse mode indicator changes as follows:

→ → → (↺) → (↻) → (back to the beginning)

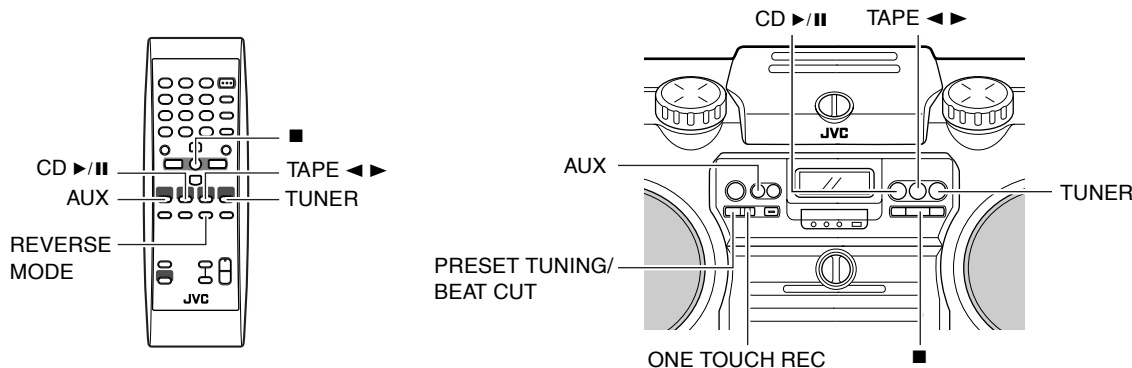
→ : The cassette deck automatically stops after playing one side of the tape.

↺ : The cassette deck automatically stops when playback in the reverse (◀) direction is finished.

↻ : The cassette deck continues to play both sides of the tape until the ■ button is pressed.

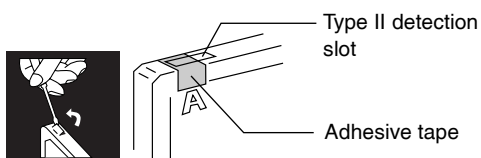


# Recording



## Things to know before you start recording

- It should be noted that it may be unlawful to re-record pre-recorded tapes, records, or discs without the consent of the owner of copyright in the sound or video recording, broadcast or cable programme and in any literary, dramatic, musical, or artistic work embodied therein.
- When you want to record onto both sides of a tape, you can set reverse mode to . Recording automatically stops after recording in the reverse (◀) direction. Therefore, make sure that the tape direction is forward (▶) when recording with reverse mode is on.
- The recording level is automatically set correctly, so it is not affected by the VOLUME control on the system or by adjusting the sound effects. Thus, during recording you can adjust the sound you are actually listening to without affecting the recording level.
- Two small tabs on the back of the cassette tape, one for side A and one for side B, can be removed to prevent accidental erasure or recording.
- To record on a cassette with the tabs removed, you must cover the holes with adhesive tape first. However, when a type II tape is used, only cover part of the hole as shown, since the other part of the hole (type II detection slot) is used to detect the tape type.



- Type I and type II tapes can be used for recording.

### Note:

At the start and end of cassette tapes, there is leader tape which cannot be recorded onto. Thus, before recording, wind on the leader tape first to ensure getting the beginning of the recording.

**CAUTION:** If a recording you make has excessive noise or static, the system may have been too close to a TV which was on during the recording. Either turn off the TV or increase the distance between the TV and the system.

## Standard recording

You can record any sound source to tape. The sources are disc, tuner, auxiliary equipment, microphone, and guitar. The microphone sound and guitar sound can be mixed with any source.

### 1. Insert a blank or erasable cassette tape into the cassette deck.

Be sure that the tape direction indicator and the tape insertion direction are as follows:

#### [Forward and reverse recording]

Tape direction indicator	Tape insertion direction
<p>▶</p> <p>(Forward)</p> <p>* Recording will be made on the tape side facing you.</p>	<p>(Front view)</p>
<p>◀</p> <p>(Reverse)</p> <p>* Recording will be made on the opposite side of the tape.</p>	<p>(Front view)</p>

- If the tape direction ◀ (reverse) is lit, press TAPE ◀▶ to change the direction. (In this case, since the tape play starts, you need to press ■. Then, press ◀◀ to rewind the tape up to the end point of the leader tape which cannot be recorded onto.)
- If the inserted tape is not fully rewound, press ◀◀ to rewind the tape up to the end point of the leader tape which cannot be recorded onto.

### 2. If you want to record on both sides of the tape, press REVERSE MODE on the remote control to set the cassette deck in reverse mode.

Press the button until “” is lit.

### 3. Prepare the source, for example, tuning in to a radio station, or turning on the connected auxiliary equipment.

**Note:** For disc recording, refer to “Disc direct recording” described on page 15.

**4. Press ONE TOUCH REC on the system.**

- The **REC** indicator lights up and the system starts recording.
- If the tab of the cassette tape is removed to protect erasure or recording, recording does not start.

**Tips:** When you want to record on both sides of the tape, start recording from the forward direction.

To stop at any time during the recording process, press ■.

**Recording an AM station on a tape**

When recording an AM broadcast, beats may be produced which are not heard when listening to the broadcast. If this happens, press BEAT CUT to eliminate the beats.

1. Set to AM station and start recording.
2. Press BEAT CUT to eliminate the beats.  
Each time you press the button, the display changes as follows:  
**B.CUT-1 → B.CUT-2 → B.CUT-3 → B.CUT-4 →** (back to the beginning)


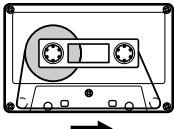
**Disc direct recording**

Everything on the disc goes onto the tape in the order it is on the disc, or according to the order you have set in a program.

**1. Insert a blank or erasable cassette tape into the cassette deck.**

Be sure that the tape direction indicator and the tape insertion direction are as follows:

[Forward recording]

Tape direction indicator	Tape insertion direction
 (Forward)	 (Front view)
* Recording will be made on the tape side facing you.	

**2. If you want to record on both sides of the tape, press REVERSE MODE on the remote control to set the system in reverse mode.**

Press the button until “↔” is lit.

**3. Set a disc.**

**4. Press CD ►/II.**

**5. Press ■.**

- If you want to record specific tracks only, program the tracks first. You can check their total playback time on the display during programming. (See page 12.)

**6. Choose whether to have pauses between tracks.**

- If nothing is done, a non-recorded pause of about four seconds will be automatically made between tracks.
- If you do not want pauses between tracks, press CD ►/II twice to enter pause mode—only possible with CDs.

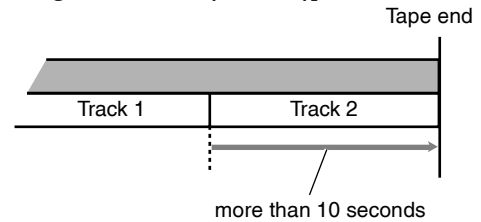
**7. Press ONE TOUCH REC on the system.**

The **REC** indicator lights up and the cassette deck starts recording.

- When the tape reaches its end at the middle of a song in the forward direction (►), the recording in the reverse direction (◄) will start from the beginning of that track (or previous track). See diagram below.

Ex.: Case 1

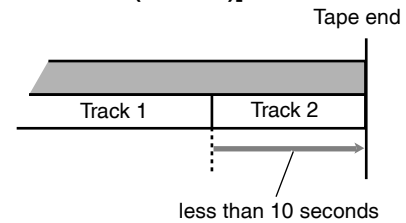
[Recording direction ► (forward)]



\* The recording in reverse side (◄) starts from the beginning of track 2.

Ex.: Case 2

[Recording direction ► (forward)]



\* The recording in reverse side (◄) starts from the beginning of track 1.

- After the disc player has played the entire disc, or all the programmed tracks, the tape automatically stops.
- Recording will also stop when the end of the reverse side (◄) is reached (even if the disc play is not yet over).

To stop at any time during the recording process, press ■. The tape stops after four seconds.

**Note:**

When making SLEEP timer settings while performing disc direct recording, set enough time to allow the disc to finish playing; otherwise, the power will go off before recording is completed.

**One Track Recording**

You can record the current track being played.

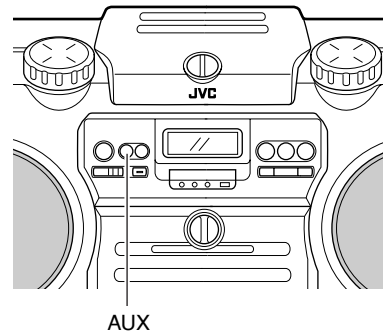
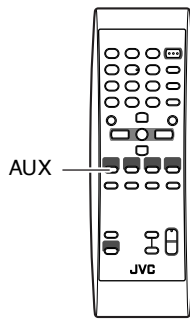
**1. Insert a blank or erasable cassette tape into the cassette deck.**

**2. Play the track you wish to record.**

**3. Press ONE TOUCH REC on the system.**

The disc player returns to the beginning of that track and the track is recorded on the tape. After recording, the disc player and the cassette deck automatically stop.

# Listening to an auxiliary equipment



## Listening to external equipment

You can listen to an auxiliary equipment.

- First make sure that the auxiliary equipment is properly connected to the system. (See page 5.)

### 1. Set the volume level to minimum.

### 2. Press AXX.

“AUX” appears on the display.

AUX

- To listen to the auxiliary equipment, start playing the auxiliary equipment.

### 3. Adjust the volume to the desired listening level.

### 4. Apply sound effects, if you wish.

- Adjust the super woofer volume to reinforce the bass sound.

**Note:** For operation of the auxiliary equipment, refer to its instructions.

# Using the microphone/guitar

## Microphone/guitar mixing

Using a microphone or a guitar (not supplied), you can mix its sound with a source sound.

### 1. Make sure the MIC/GUITAR LEVEL control on the rear of the system is properly set.

- When using a microphone, make sure the knob is pressed in (■).
- When using a guitar, make sure the knob is released (■).

### 2. Set the MIC/GUITAR LEVEL control to MIN by turning it fully counterclockwise.

### 3. Connect a microphone or a guitar into the MIC/GUITAR INPUT jack on the rear of the system.

### 4. Start a source: disc, tape, tuner, or other equipment.

### 5. Adjust the VOLUME +/- control and the MIC/GUITAR LEVEL control, as you play the microphone or the guitar.

**CAUTION: DO NOT** connect a bass guitar to the MIC/GUITAR INPUT jack, as it may damage the system.

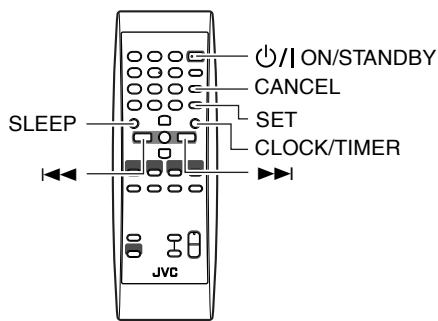
## Recording microphone or guitar mixing on a tape

### 1. Follow the above steps 1. - 5.

### 2. To record, follow the steps in “Standard recording”. (See page 14.)

**Note:** If “howling” occurs when using the microphone, keep the microphone away from the speaker.

# Using the timer



The timers let you control the listening and recording functions automatically.

## Setting the clock

When the power is first supplied, the CLOCK indicator and "AM12:00" blink on the display. Set the clock.

### Note:

The clock must be correctly set for the timers to work.

### Using the remote control only

- 1. Press  $\text{ON/OFF}$ .**
- 2. Press CLOCK/TIMER repeatedly until the CLOCK indicator lights up.**  
The hour digit blinks on the display.
- 3. Press  $\text{RIGHT}$  or  $\text{LEFT}$  to select the hour.**  
When you press and hold the button, the hour digit changes continuously.
- 4. Press SET to set the hour.**  
The minutes digits start flashing on the display.
- 5. Press  $\text{RIGHT}$  or  $\text{LEFT}$  to select the minute.**  
When you press and hold the button, the minute digit changes continuously.
- 6. Press SET to finish setting the clock.**

**CAUTION:** If memory backup batteries are exhausted or not installed, and the AC power cord is plugged in again after being disconnected, or power is restored after a power failure, the CLOCK indicator will blink on the display. Set the current time (clock) again.

## Setting the sleep timer

Use the sleep timer to turn the system off after a certain number of minutes when it is playing. By setting the sleep timer, you can fall asleep to the music and know that your system will turn off by itself rather than playing all night.

- You can set the sleep timer only when the system is turned on.

### Using the remote control only

#### 1. Press SLEEP.

The SLEEP indicator lights up on the display.



#### 2. Set the length of time you want the source to play before shutting off.

- Each time you press the button, it changes the number of minutes shown on the display in this sequence:  
10 → 20 → 30 → 60 → 90 → 120 → OFF → (back to the beginning)

After setting the number of minutes for the sleep timer, the indication will stop blinking and goes off.

The system is now set to turn off after the number of minutes you set.

#### To confirm the sleep time:

When SLEEP is pressed, the remaining sleep time is displayed. Wait until the display returns to the original display.

#### To cancel the sleep timer:

Press SLEEP repeatedly to select "OFF". Turning off the system also cancels the sleep timer.

## Setting the daily timer

Once the timer has been set, it will be activated at the same time everyday until the timer is turned off. Recording timer works only one time.

- While the timer is being set, the timer indicator (⏰) lights up.
- While the timer has been set, the timer indicator (⏰) also lights up if the power is supplied through the AC outlet.
- While the timer is working, the timer indicator (⏰) blinks.

### Using the remote control only

#### 1. Press ⏻/I ON/STANDBY.

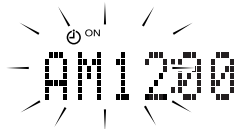
#### 2. Press CLOCK/TIMER.

“TIMER ON?” appears.

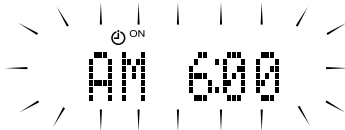
- Press SET to activate the timer setting you have made before.
- Press CANCEL to cancel the timer.
- Go to the next step to reset the timer (or set the timer first time).

#### 3. Press CLOCK/TIMER again, so that the timer indicator (⏰) and ON indicator light up.

The hour digit of the current ON time blinks on the display.

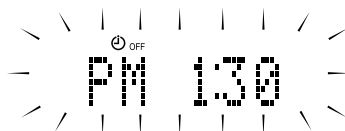


#### 4. Set the on-time you want the system to turn on.



- (1) Press ►► or ◄◄ to select the hour, then press SET.
- (2) Press ►► or ◄◄ to select the minute, then press SET.  
The OFF indicator lights up.
  - Press and hold the button will change the time rapidly.
  - If you want to change the time setting, press CANCEL.

#### 5. Set the OFF time (example: PM1:30).



- (1) Press ►► or ◄◄ to select the hour, then press SET.
- (2) Press ►► or ◄◄ to select the minute, then press SET.
  - Press and hold the button will change the time rapidly.
  - If you want to change the time setting, press CANCEL.

#### 6. Press ►► or ◄◄ to select the music source you want to listen to, then press SET.

Each time you press the button, the display changes as shown below:

TUNER → TU→TAPE → CD → TAPE → (back to the beginning)

When you select the “TU→TAPE”;

- The REC indicator appears on the display.
- The timer will be canceled after tuner recording has been finished.

#### 7. Press ►► or ◄◄ to select the volume level, then press SET.

-- : The current volume level will be used.

0 to 50 : When the timer is turned on, the volume will be automatically set to the selected level.

## VOLUME 15

- The current timer setting appears for confirmation.

#### 8. Before turning off the system, prepare the music source selected in step 6.

TUNER : Tune into the desired station.

TU→TAPE : The last tuned station will be recorded. Insert a cassette tape for recording the station.

CD : Set a disc.

TAPE : Insert a tape.

#### 9. Press ⏻/I ON/STANDBY to turn off the system.

- When the timer turns on, the volume level gradually increases from 0 (zero) to the preset level in step 7.  
However, if the volume has been set to “--”, the volume level will be set to the last level directly.

**To cancel the operation,** press CLOCK/TIMER until the display returns to the original one.

**To cancel the timer,** press CLOCK/TIMER once, then press CANCEL. (“TIMEROFF” appears, only when power is on.)

**To reactivate (or confirm) the canceled timer,** press CLOCK/TIMER once, then press SET. (The current timer setting appears for confirmation.)

#### Notes:

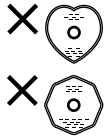
- The timer cannot be set if on-time and off-time are the same.
- The timer does not work if the system is not in the standby mode (the system needs to be in standby mode at least one minute before the on-time).

**CAUTION: If memory backup batteries are exhausted or not installed, and the AC power cord is disconnected or there is a power failure, time settings will be erased from memory. If this happens, set the current time (clock) and perform the timer setting again.**

# Care and maintenance

Handle your discs carefully, and they will last a long time.

## Compact discs



- Only discs bearing this mark can be used with this system. However, continued use of irregular shape discs (heart-shape, octagonal, etc.) can damage the system.



- Remove the disc from its case by holding it at the edges while pressing the case's center hole lightly.
- Do not touch the shiny surface of the disc, or bend the disc.



- Put the disc back in its case after use to prevent warping.
- Be careful not to scratch the surface of the disc when placing it back in the case.
- Avoid exposure to direct sunlight, temperature extremes, and moisture.



- A dirty disc may not play correctly. If a disc does become dirty, wipe it with a soft cloth in a straight line from center to edge.

**CAUTION: Do not use any solvent (for example, conventional record cleaner, spray thinner, benzene, etc.) to clean a disc.**

## General notes

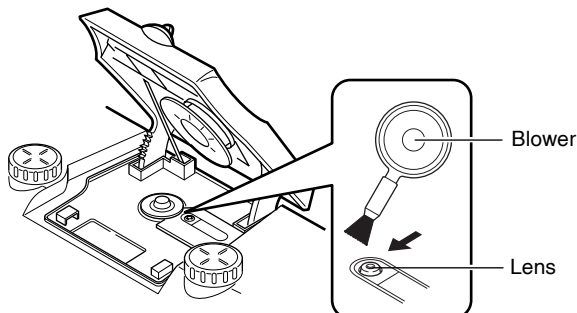
In general, you will have the best performance by keeping your discs and the mechanism clean.

- Store discs in their cases, and keep them in cabinets or on shelves.
- Keep the disc compartment door closed when not in use.

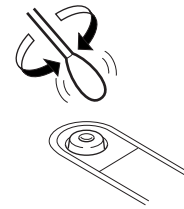
## Cleaning the lens

If the lens in the pickup is dirty, dropout, etc., could degrade sound. Open the disc compartment door and clean the lens as shown.

- Use a blower (available from a camera store) to blow dust off the lens.



- If there are fingerprints, etc. on the lens, gently wipe clean with a cotton swab.



## Moisture condensation

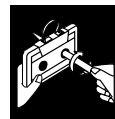


Moisture may condense on the lens inside the system in the following cases:

- After turning on heating in the room.
- In a damp room.
- If the system is brought directly from a cold to a warm place.

Should this occur, the system may malfunction. In this case, leave the system turned on for a few hours until the moisture evaporates, unplug the AC power cord, and then plug it in again.

## Cassette tapes



- If the tape is loose, it may get stretched, cut, or caught in the cassette. Take up the slack by inserting a pencil in one of the reels and rotating.



- Do not touch the tape surface.



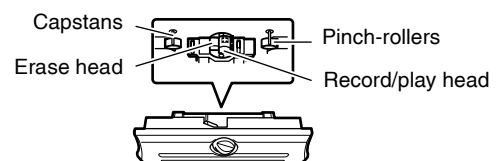
- Do not store the tape:
  - In dusty places
  - In direct sunlight or heat
  - In moist areas
  - On a TV or speaker
  - Near a magnet

## Cassette deck

- If the heads, capstans, or pinch-rollers of the cassette deck become dirty, the following may occur:

- Loss of sound quality
- Discontinuous sound
- Fading
- Incomplete erasure
- Difficulty recording


- Clean the heads, capstans, and pinch-rollers using a cotton swab moistened with alcohol.



- If the heads become magnetized, the system will produce noise or lose high frequency notes.
- To demagnetize the heads, turn off the system, and use a head demagnetizer (available at electronics and record shops).

# Troubleshooting

- If you are having a problem with your system, check this list for a possible solution before calling for service.
- If you cannot solve the problem from the hints given here, or the system has been physically damaged, call a qualified person, such as your dealer, for service.

Symptom	Possible cause	Action
Power does not come on.	The power cord is not connected to an AC outlet.	Insert the plug into the socket.
No sound is heard.	<ul style="list-style-type: none"> <li>• Connections are incorrect, or loose.</li> <li>• Headphones are connected.</li> <li>• MP3 disc is recorded with “packet writing.”</li> </ul>	<ul style="list-style-type: none"> <li>• Check all connections and make corrections. (See page 5.)</li> <li>• Disconnect the headphones.</li> <li>• It cannot be played. Replace the disc.</li> </ul>
Poor FM reception.	The FM telescopic antenna is not properly extended and positioned.	Fully extend the FM telescopic antenna and turn it for the best reception.
The track skips.	The disc is dirty or scratched.	Clean or replace the disc.
The disc does not play (“NO PLAY” or “NO DISC” appears).	<ul style="list-style-type: none"> <li>• The disc is upside down.</li> <li>• The disc is dirty or scratched.</li> </ul>	<ul style="list-style-type: none"> <li>• Put the disc in with the label side up.</li> <li>• Change the disc.</li> </ul>
Specific files (tracks) on an MP3 disc are not played.	Files other than MP3 are included in the disc.	They cannot be played.
Unable to record.	Cassette record protect tabs are removed.	Cover the holes on the back edge of the cassette with tape.
Unable to operate the remote control.	<ul style="list-style-type: none"> <li>• The path between the remote control and the sensor on the system is blocked.</li> <li>• The batteries have lost their charge.</li> </ul>	<ul style="list-style-type: none"> <li>• Remove the obstruction.</li> <li>• Replace the batteries.</li> </ul>
Operations are disabled.	The built-in microprocessor has malfunctioned due to external electrical interference.	Unplug the system then plug it back in after a few minutes.
The cassette holder cannot be opened.	During tape play, the power cord has been unplugged.	Plug in the power cord and press the  / ON/STANDBY button.
Indicators and the display do not light up while in standby mode.	Batteries or DC power is used to supply the power.	

# Specifications

## Amplifier

### Output Power

6 W per channel, min. RMS, at 4 Ω from 150Hz to 15kHz with no more than 10% total harmonic distortion.

20 W per channel woofer, min. RMS into 4 Ω at 60 Hz with no more than 10% total harmonic distortion.

### Input Sensitivity/Impedance (1 kHz)

AUX IN 300 mV/47 kΩ

### MIC/GUITAR INPUT: Switchable

MIC 200 Ω – 2 kΩ (6.3 mm dia. plug)

GUITAR 100 kΩ – 1 MΩ (6.3 mm dia. plug)

### Output Sensitivity/Impedance (1 kHz)

Phones 16 Ω – 1 kΩ

0 – 12 mW/ch output into 32 Ω

## Cassette Deck

### Frequency Response

Type II (High position) 60 Hz – 14 kHz

Wow and Flutter 0.15% (WRMS)

## Disc Player

Dynamic range 90 dB

Signal-to-noise ratio 95 dB

Wow and Flutter Unmeasurable

## Tuner

### FM Tuner

Tuning Range 87.5 MHz – 108.0 MHz

### AM Tuner

Tuning Range 530 kHz – 1 710 kHz

### Antenna

FM telescopic antenna

Ferrite core antenna for AM

## Speakers

### Full range

8 cm (3 – 3/16”) × 2, 4 Ω

### Super woofer

16 cm (6 – 5/16”) × 2, 4 Ω

## General

### Dimensions

690 mm × 239 mm × 296 mm (W/H/D)  
(27 – 3/16” × 9 – 7/16” × 11 – 11/16”)

### Mass

9.5 kg (21 lbs) (without batteries)

10.6 kg (23.4 lbs) (with batteries)

## Power Specifications

Power Requirements AC 120 V ~, 60 Hz

DC15V (“R20/D (13F)” batteries (10))

External DC12V (car battery via optional CA-R120 car adapter)

Power Consumption 50 W (power on mode)

1.6 W (in standby mode)

Design and specifications are subject to change without notice.

# Authorized Service Centers

---

QUALITY **JVC** SERVICE

*HOW TO LOCATE YOUR JVC SERVICE CENTER*

**TOLL FREE: 1(800) 537-5722**

**<http://www.jvc.com>**

Dear customer,

In order to receive the most satisfaction from your purchase, please read the instruction booklet before operating the unit. In the event that repairs are necessary, please call 1 (800) 537-5722 for your nearest authorized servicer or visit our website at **[www.JVC.com](http://www.JVC.com)**

Remember to retain your Bill of Sale for Warranty Service.

---

## **Do not service the television yourself**

---

### **Caution**

To prevent electrical shock, do not open the cabinet. There are no user serviceable parts inside. Please refer to qualified service personnel for repairs.

### **Accessories**

To purchase accessories for your JVC product, please call toll free: 1 (800) 882-2345 or on the web at **[www.JVC.com](http://www.JVC.com)**

---





# LIMITED WARRANTY

AUDIO-1

JVC COMPANY OF AMERICA warrants this product and all parts thereof, except as set forth below ONLY TO THE ORIGINAL PURCHASER AT RETAIL to be FREE FROM DEFECTIVE MATERIAL AND WORKMANSHIP from the date of original retail purchase for the period as shown below. ("The Warranty Period.")

PARTS	LABOR
1 YR	1 YR

THIS LIMITED WARRANTY IS VALID ONLY IN THE FIFTY (50) UNITED STATES, THE DISTRICT OF COLUMBIA AND IN COMMONWEALTH OF PUERTO RICO.

**WHAT WE WILL DO:**

If this product is found to be defective, JVC will repair or replace defective parts at no charge to the original owner. Such repair and replacement services shall be rendered by JVC during normal business hours at JVC authorized service centers. Parts used for replacement are warranted only for the remainder of the Warranty Period. All products and parts thereof may be brought to a JVC authorized service center on a carry-in basis except for Television sets having a screen size 25 inches and above which are covered on an in-home basis.

**WHAT YOU MUST DO FOR WARRANTY SERVICE:**

Return your product to a JVC authorized service center with a copy of your bill of sale. For your nearest JVC authorized service center, please call toll free: (800) 537-5722. If service is not available locally, box the product carefully, preferably in the original carton, and ship, insured, with a copy of your bill of sale plus and letter of explanation of the problem to the nearest JVC Factory Service Center, the name and location of which will be given to you by the toll-free number. If you have any questions concerning your JVC Product, please contact our Customer Relations Department.

**WHAT IS NOT COVERED:**

- This limited warranty provided by JVC does not cover:
  - Products which have been subject to abuse, accident, alteration, modification, tampering, negligence, misuse, faulty installation, lack of reasonable care, or if repaired or serviced by anyone other than a service facility authorized by JVC to render such service, or if affixed to any attachment not provided with the products, or if the model number or serial number has been altered, tampered with, defaced or removed.
  - Initial installation and installation and removal for repair;
  - Operational adjustments covered in the Owner's Manual, normal maintenance, video and audio head cleaning;
  - Damage that occurs in shipment, due to act of God, and cosmetic damage;
  - Signal reception problems and failures due to line power surge;
  - Video Pick-up Tubes/CCD Image Sensor, Cartridge, Stylus (Needle) are covered for 90 days from the date of purchase;
  - Accessories;
  - Batteries (except the Rechargeable Batteries are covered for 90 days from the date of purchase);

There are no express warranties except as listed above: THE DURATION OF ANY IMPLIED WARRANTIES, INCLUDING THE IMPLIED WARRANTY OF MERCHANTABILITY, IS LIMITED TO THE DURATION OF THE EXPRESS WARRANTY HEREIN.

JVC SHALL NOT BE LIABLE FOR THE LOSS OF USE OF THE PRODUCT, INCONVENIENCE, LOSS OR ANY OTHER DAMAGES, WHETHER DIRECT, INCIDENTAL OR CONSEQUENTIAL (INCLUDING, WITHOUT LIMITATION, DAMAGE TO TAPES, RECORDS OR DISCS) RESULTING FROM THE USE OF THIS PRODUCT, OR ARISING OUT OF ANY BREACH OF THIS WARRANTY. ALL EXPRESS AND IMPLIED WARRANTIES OF MERCHANTABILITY AND FITNESS FOR PARTICULAR PURPOSE, ARE LIMITED TO THE WARRANTY PERIOD SET FORTH ABOVE.

Some states do not allow the exclusion of incidental or consequential damages or limitations on how long an implied warranty last, so these limitations or exclusions may not apply to you. This warranty gives you specific legal rights and you may also have other rights which vary from state to state.

JVC COMPANY OF AMERICA                      1700 Valley Road  
 DIVISION OF JVC AMERICAS CORP.        Wayne, NJ 07470

REFURBISHED PRODUCTS CARRY A SEPARATE WARRANTY, THIS WARRANTY DOES NOT APPLY. FOR DETAILS OF REFURBISHED PRODUCT WARRANTY, PLEASE REFER TO THE REFURBISHED PRODUCT WARRANTY INFORMATION PACKAGED WITH EACH REFURBISHED PRODUCT.

**For customer use:**

Enter below the Model No. and Serial No. which is located either on the rear, bottom or side of the cabinet. Retain this information for future reference.

Model No.: \_\_\_\_\_ Serial No.: \_\_\_\_\_

Purchase data: \_\_\_\_\_ Name of dealer: \_\_\_\_\_

**RV-NB1** | **POWERED WOOFER CD SYSTEM**

**JVC**

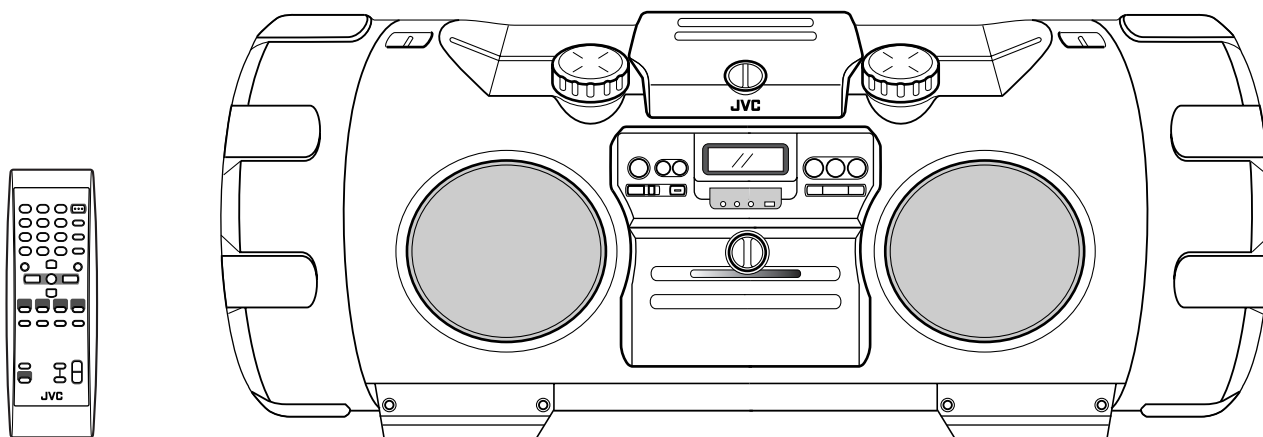
# JVC

English

Français

**POWERED WOOFER CD SYSTEM**  
**CHAIN CD A WOOFER AMPLIFIE**

# RV-NB1



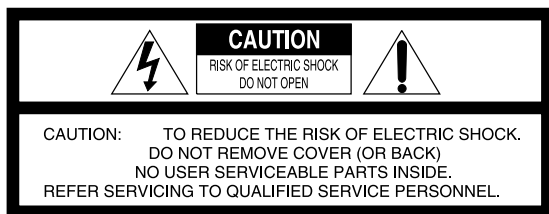
**MP3**  
**PLAYBACK**

COMPACT  
**disc**  
DIGITAL AUDIO

**INSTRUCTIONS**  
**MANUEL D'INSTRUCTIONS**

# Warnings, Cautions and Others

## Mises en garde, précautions et indications diverses




The lightning flash with arrowhead symbol, within an equilateral triangle is intended to alert the user to the presence of uninsulated "dangerous voltage" within the product's enclosure that may be of sufficient magnitude to constitute a risk of electric shock to persons.




The exclamation point within an equilateral triangle is intended to alert the user to the presence of important operating and maintenance (servicing) instructions in the literature accompanying the appliance.

**WARNING: TO REDUCE THE RISK OF FIRE OR ELECTRIC SHOCK, DO NOT EXPOSE THIS APPLIANCE TO RAIN OR MOISTURE.**

### CAUTION— ON/STANDBY button!

Disconnect the mains plug to shut the power off completely. The  ON/STANDBY button in any position does not disconnect the mains line. The power can be remote controlled.

### ATTENTION—Touche ON/STANDBY!

Déconnectez la fiche secteur pour mettre l'appareil complètement hors tension. La touche  ON/STANDBY dans n'importe quelle position ne déconnecte pas l'appareil du secteur. L'alimentation ne peut pas être commandée à distance.

### CAUTION

To reduce the risk of electrical shocks, fire, etc.:

1. Do not remove screws, covers or cabinet.
2. Do not expose this appliance to rain or moisture.

### ATTENTION

Afin d'éviter tout risque d'électrocution, d'incendie, etc.:

1. Ne pas enlever les vis ni les panneaux et ne pas ouvrir le coffret de l'appareil.
2. Ne pas exposer l'appareil à la pluie ni à l'humidité.

### For U.S.A.

This equipment has been tested and found to comply with the limits for a Class B digital device, pursuant to part 15 of the FCC Rules. These limits are designed to provide reasonable protection against harmful interference in a residential installation. This equipment generates, uses, and can radiate radio frequency energy and, if not installed and used in accordance with the instructions, may cause harmful interference to radio communications. However, there is no guarantee that interference will not occur in a particular installation. If this equipment does cause harmful interference to radio or television reception, which can be determined by turning the equipment off and on, the user is encouraged to try to correct the interference by one or more of the following measures:

Reorient or relocate the receiving antenna.

Increase the separation between the equipment and receiver.

Connect the equipment into an outlet on a circuit different from that to which the receiver is connected.

Consult the dealer or an experienced radio/TV technician for help.

### For Canada/pour le Canada

**CAUTION:** TO PREVENT ELECTRIC SHOCK, MATCH WIDE BLADE OF PLUG TO WIDE SLOT, FULLY INSERT.

**ATTENTION:** POUR EVITER LES CHOCS ELECTRIQUES, INTRODUIRE LA LAME LA PLUS LARGE DE LA FICHE DANS LA BORNE CORRESPONDANTE DE LA PRISE ET POUSSER JUSQU'AU FOND.

### For Canada/pour le Canada

THIS DIGITAL APPARATUS DOES NOT EXCEED THE CLASS B LIMITS FOR RADIO NOISE EMISSIONS FROM DIGITAL APPARATUS AS SET OUT IN THE INTERFERENCE-CAUSING EQUIPMENT STANDARD ENTITLED "DIGITAL APPARATUS," ICES-003 OF THE DEPARTMENT OF COMMUNICATIONS.

CET APPAREIL NUMERIQUE RESPECTE LES LIMITES DE BRUITS RADIOELECTRIQUES APPLICABLES AUX APPAREILS NUMERIQUES DE CLASSE B PRESCRITES DANS LA NORME SUR LE MATERIEL BROUILLEUR: "APPAREILS NUMERIQUES", NMB-003 EDICTEE PAR LE MINISTRE DES COMMUNICATIONS.

## IMPORTANT FOR LASER PRODUCTS

1. CLASS 1 LASER PRODUCT
2. **CAUTION:** Do not open the top cover. There are no user serviceable parts inside the unit; leave all servicing to qualified service personnel.
3. **CAUTION:** Visible and invisible laser radiation when open and interlock failed or defeated. Avoid direct exposure to beam.
4. REPRODUCTION OF LABEL: CAUTION LABEL, PLACED INSIDE THE UNIT.

## IMPORTANT POUR PRODUITS LASER

1. PRODUIT LASER CLASSE 1
2. **ATTENTION:** N'ouvrez pas le couvercle supérieur. Il n'y a aucune pièce réparable par l'utilisateur à l'intérieur de l'appareil; confiez toute réparation à un personnel qualifié.
3. **ATTENTION:** Risque de radiations laser visible et invisible quand l'appareil est ouvert et que le système de verrouillage ne fonctionne pas ou a été mis hors service. Évitez toute exposition directe au rayon.
4. REPRODUCTION DE L'ÉTIQUETTE: ÉTIQUETTE DE PRÉCAUTION PLACÉE À L'INTERIEUR DE L'APPAREIL.

<b>CAUTION:</b> Visible and invisible laser radiation when open and interlock failed or defeated. AVOID DIRECT EXPOSURE TO BEAM. (e)	<b>ADVARSEL:</b> Synlig og usynlig laserstråling når maskinen er åben eller interlocken fejler. Undgå direkte eksponering til stråling. (e)	<b>WARNING:</b> Synlig och osynlig laserstråling när den öppnas och spärren är urkopplad. Betrakta ej strålen. (d)	<b>VARO:</b> Avaltäessä ja suojalukitus ohitettuna tai viallisenä olet alttiina näkyvälle ja näkymättömälle lasersäteilylle. Vältä säteen kohdistumista suoraan itseesi. (f)
--	---	--	--

### CAUTION:

- Do not block the ventilation openings or holes. (If the ventilation openings or holes are blocked by a newspaper or cloth, etc., the heat may not be able to get out.)
- Do not place any naked flame sources, such as lighted candles, on the apparatus.
- When discarding batteries, environmental problems must be considered and local rules or laws governing the disposal of these batteries must be followed strictly.
- Do not expose this apparatus to rain, moisture, dripping or splashing and that no objects filled with liquids, such as vases, shall be placed on the apparatus.

### ATTENTION:

- Ne bloquez pas les orifices ou les trous de ventilation. (Si les orifices ou les trous de ventilation sont bloqués par un journal un tissu, etc., la chaleur peut ne pas être évacuée correctement de l'appareil.)
- Ne placez aucune source de flamme nue, telle qu'une bougie, sur l'appareil.
- Lors de la mise au rebut des piles, veuillez prendre en considération les problèmes de l'environnement et suivre strictement les règles et les lois locales sur la mise au rebut des piles.
- N'exposez pas cet appareil à la pluie, à l'humidité, à un égouttement ou à des éclaboussures et ne placez pas des objets remplis de liquide, tels qu'un vase, sur l'appareil.

Thank you for purchasing the JVC Powered Woofer CD System.

Before operating this system, read this manual carefully and thoroughly to obtain the best possible performance from your system, and retain this manual for future reference.

## Features

Here are some of the things that make your system both powerful and simple to use.

### ■ General

- With JVC's **COMPU PLAY** you can turn on the system and automatically start the radio, disc player, or cassette deck with a single touch. (Only when AC power is used.)
- Shoulder strap and carrying handle
- ACS (Active Clear Sound) circuit for enhanced sound reproduction
- Super woofer volume control that provides powerful bass
- Sound mode control—reproducing various sound fields
- Remote control unit that operates the disc, cassette, and tuner functions
- Locking mechanism for disc and cassette door
- Microphone/guitar input



### ■ Disc playback mode includes Skip Play, Search Play, Repeat Play, Random Play, and Program Play.

### ■ Cassette player having full logic cassette mechanism, auto reverse, and auto tape mechanism.

### ■ A 45-station preset capability (30 FM and 15 AM) in addition to auto-seek and manual tuning.

### ■ Clock/timer functions, timer on/off with preset volume function, and sleep timer.

## IMPORTANT CAUTIONS

### 1. Where to place the system

- Select a place which is level, dry and neither too hot nor too cold (between 5°C and 35°C or 41°F and 95°F).
- Leave sufficient distance between the system and a TV.
- Do not use the system in a place subject to vibrations.

### 2. Power cord

- Do not handle the power cord with wet hands!
- Some power is always consumed as long as the power cord is connected to the wall outlet.
- When unplugging the system from the wall outlet, always pull the plug, not the power cord.

### 3. When carrying the system

- Remove a disc from the system.
- Disconnect all the cords from the system.

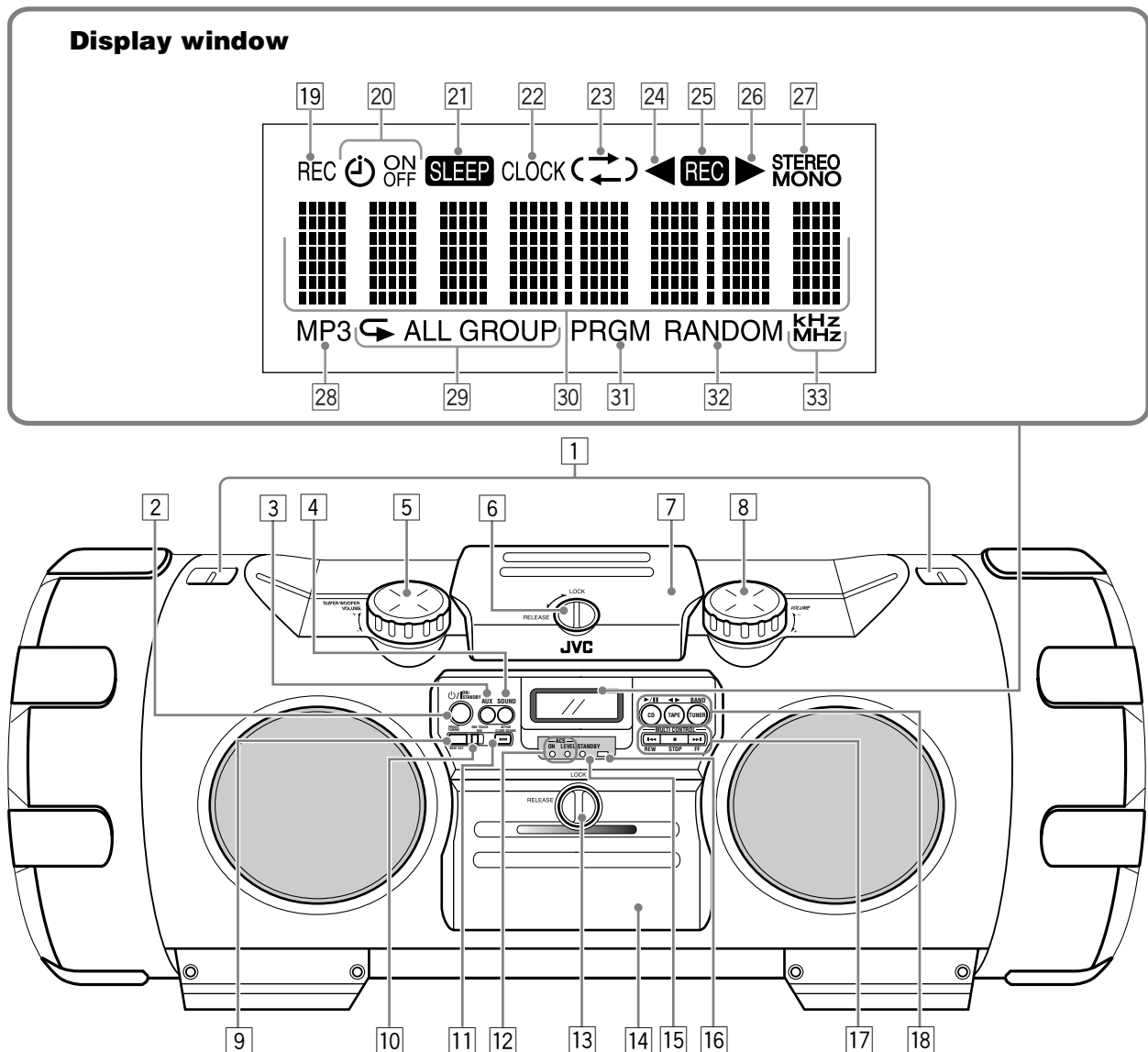
### 4. Malfunctions, etc.

- There are no user serviceable parts inside. In case of system failure, unplug the power cord and consult your dealer.
- Do not insert any metallic object into the system.
- The system is not waterproof or dust proof.

## Table of contents

Features .....	1	Recording.....	14
IMPORTANT CAUTIONS.....	1	Listening to an auxiliary equipment.....	16
Index of parts and controls .....	2	Using the microphone/guitar .....	16
Getting started.....	4	Using the timer .....	17
Basic operations .....	7	Care and maintenance .....	19
Listening to radio .....	9	Troubleshooting .....	20
Playing back discs .....	10	Specifications .....	20
Playing back tapes .....	13		

# Index of parts and controls



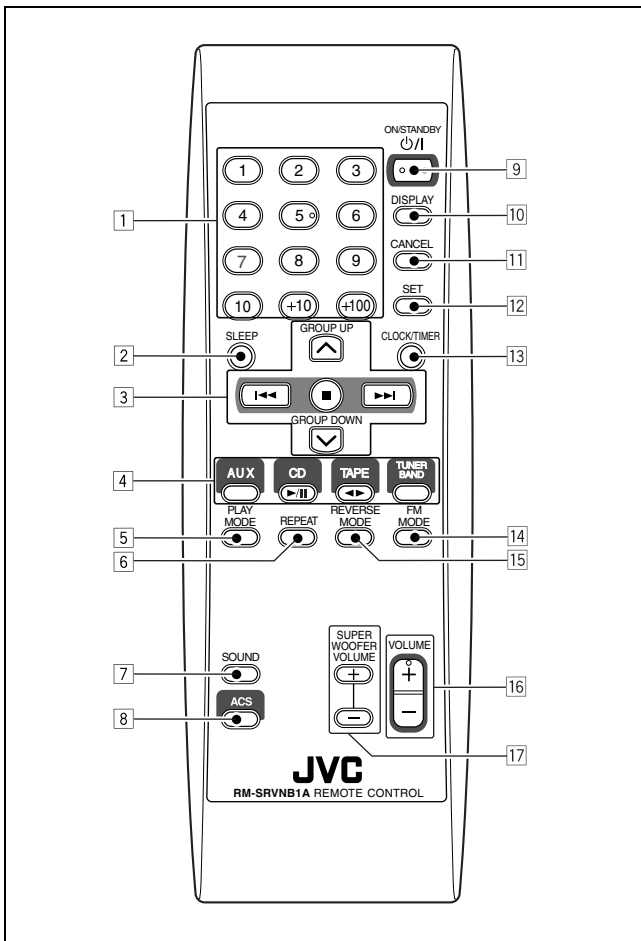
See pages in parentheses for details.

- 1 Shoulder strap hooks (4)
- 2 **⏻**/I ON/STANDBY button (7)
- 3 AUX button (3, 16)
  - Pressing this button also turns on the unit.
- 4 SOUND button (8)
- 5 SUPER WOOFER VOLUME +/- control knob (8)
- 6 LOCK/RELEASE knob (for disc) (10)
- 7 Disc compartment door (10)
- 8 VOLUME +/- control knob (7)
- 9 PRESET TUNING/BEAT CUT button (9, 15)
- 10 ONE TOUCH REC button (15)
- 11 ACTIVE CLEAR SOUND button (8)
- 12 ACS (Active Clear Sound) indicators (8)
  - ON, LEVEL
- 13 LOCK/RELEASE knob (for deck) (13)
- 14 Cassette holder (13)
- 15 STANDBY indicator (7)
- 16 Remote sensor (4)
- 17 MULTI CONTROL buttons (9 – 15)
  - **◀◀** REW (rewind), **■** STOP, **▶▶** FF (fast-forward)
- 18 Source and play mode buttons (3, 9 – 15)
  - CD **▶**/II, TAPE **◀▶**, TUNER BAND
  - Pressing one of these buttons also turns on the unit.

## Display window

- 19 REC indicator (18)
- 20 Timer indicators (18)
  - **⏻** (timer), ON, OFF
- 21 SLEEP indicator (17)
- 22 CLOCK indicator (8, 17)
- 23 **↶** (reverse mode) indicator (13 – 15)
- 24 **◀** (reverse) tape direction indicator (13 – 15)
- 25 **REC** indicator (15)
- 26 **▶** (forward) tape direction indicator (13 – 15)
- 27 FM mode indicators (9)
  - STEREO, MONO
- 28 MP3 indicator (11)
- 29 Repeat indicators (12)
  - **↶**, ALL, GROUP
- 30 Main display
- 31 PRGM (program) indicator (12)
- 32 RANDOM indicator (12)
- 33 Frequency unit indicators (8 – 9)
  - kHz, MHz

## Remote control



See pages in parentheses for details.

- 1 Number buttons (9, 11)
- 2 SLEEP button (17)
- 3 Multi control buttons (9 – 15, 17 – 18)
  - ^ GROUP UP, v GROUP DOWN
  - ◀◀, ■, ▶▶
- 4 Source buttons (3, 9 – 16)
  - AUX, CD ▶/||, TAPE ◀▶, TUNER BAND

Pressing one of these buttons also turns on the unit.
- 5 PLAY MODE button (12)
- 6 REPEAT button (12)
- 7 SOUND button (8)
- 8 ACS (Active Clear Sound) button (8)
- 9 ON/STANDBY button (7, 17 – 18)
- 10 DISPLAY button (8)
- 11 CANCEL button (12, 18)
- 12 SET button (10, 17 – 18)
- 13 CLOCK/TIMER button (17 – 18)
- 14 FM MODE button (9)
- 15 REVERSE MODE button (13)
- 16 VOLUME +/- buttons (7)
- 17 SUPER WOOFER VOLUME +/- buttons (8)

## COMPU PLAY — One Touch Operation

With One Touch Operation you can play a disc, a tape, or turn on the radio with a single press of the play button for that function. The system turns on and starts playing the source if it is ready.

The COMPU PLAY buttons are: **On the system and remote control**

- CD ▶/|| button
- TAPE ◀▶ button
- TUNER BAND button
- AUX button

**Note:** The COMPU PLAY feature is not effective when the system is operated on batteries or car battery (DC12V).



# Getting started

## Accessories

Check that you have all the following items, which are supplied with the system.

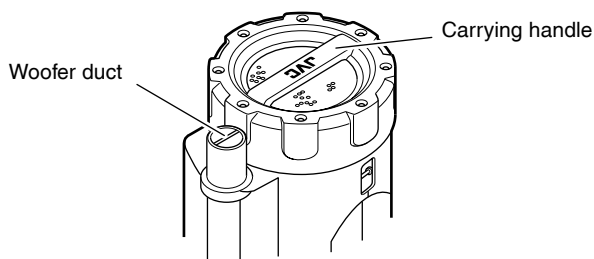
- Power cord (1)
- Remote control (1)
- Shoulder strap (1)

If any of these items are missing, contact your dealer immediately.

## Carrying the system

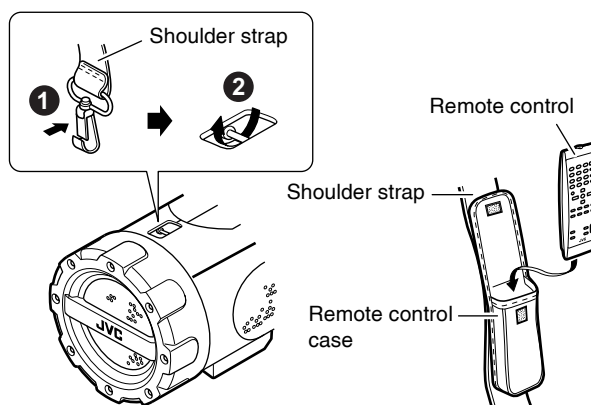
### ■ Using the carrying handles

Be sure to hold both handles when you carry the system. If you carry the system by only one handle, because of the length of the system, the end may drag on the ground and be damaged as a result. Do not lift the system by the woofer ducts, and do not insert any metallic objects into them.



### ■ Using the shoulder strap

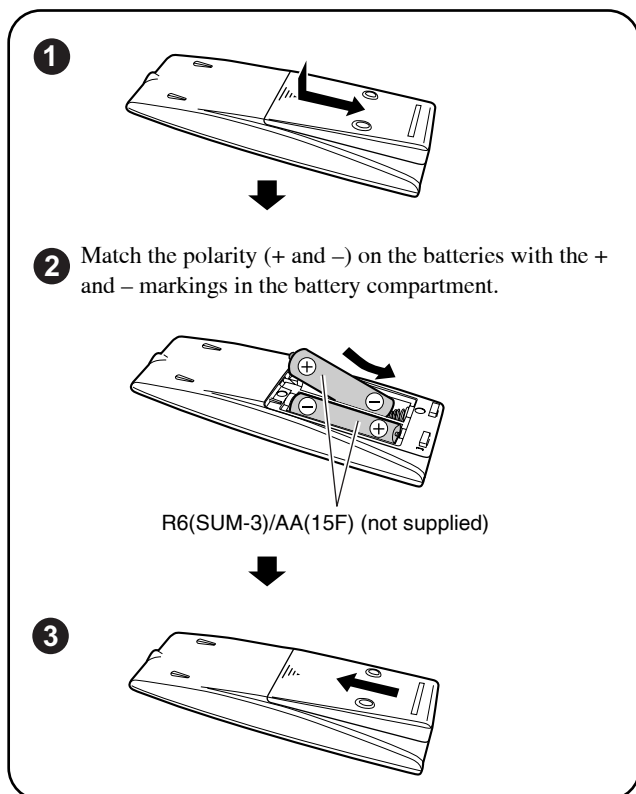
Attach the supplied shoulder strap (adjustable in length) to each end of the system as illustrated.



To detach the shoulder strap, press in the metal fitting and unhook it from the shaft.

## Using the remote control — RM-SRVNB1A

### ■ Installing the batteries



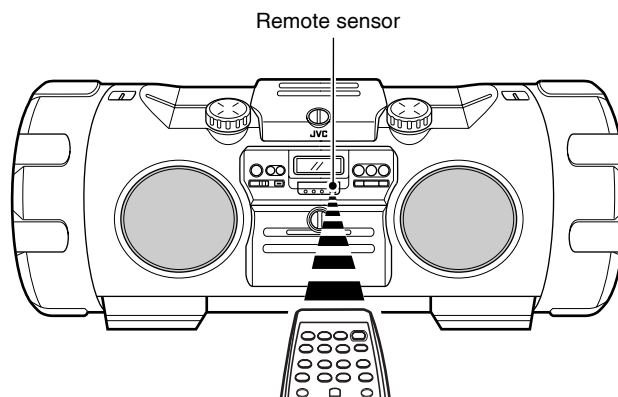
### CAUTION:

To avoid battery leakage or explosion:

- Remove batteries when the remote control is not in use for an extended period of time.
- When you need to replace the batteries, replace both batteries at the same time with new ones.
- Do not use different types of batteries together.

Point the remote control at the remote sensor on the system's control panel (from a distance of up to 7 m (23 feet)). If you point the remote control from the slant direction, the distance will be shortened.

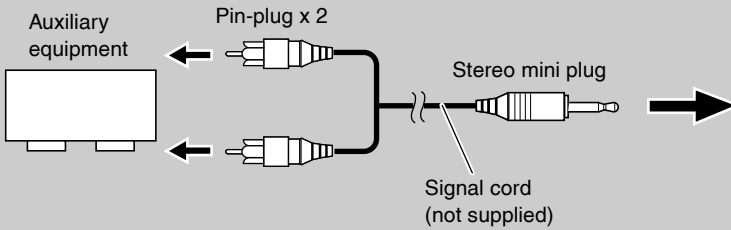
- Do not expose the remote sensor to strong direct sunlight or artificial lighting.
- Make sure there are no obstacles between the remote sensor and the remote control.



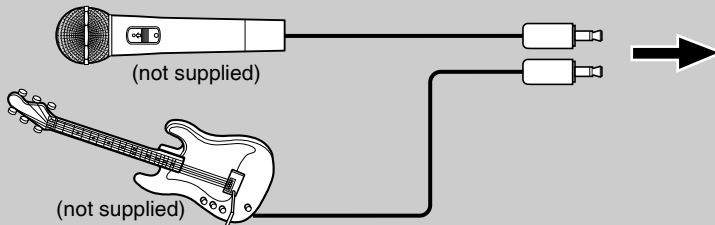
## Connections

**CAUTION:** Make all connection before plugging the system into an AC power outlet.

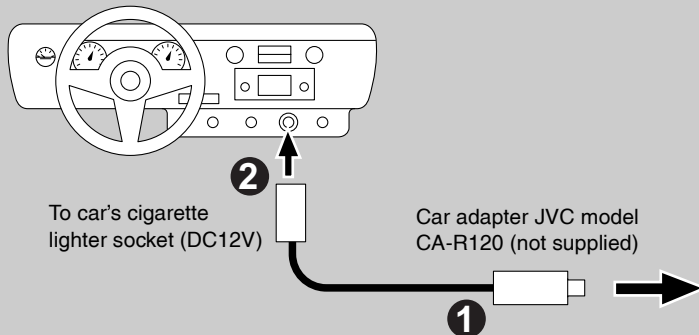
### ■ Connecting the auxiliary equipment



### ■ Connecting the microphone/guitar



### ■ Connecting to the car battery

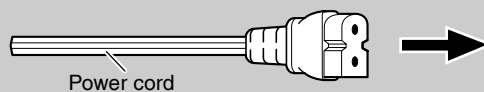


#### CAUTION:

- Be sure to use the specified car adapter (JVC model CA-R120) to prevent mishaps or damage resulting from different polarity design.
- For safety, stop the car before performing operations.
- Be sure to start the engine when you use the car adapter; otherwise, the car battery will be exhausted.
- During transport, stabilize the system in a box, etc.
- To prevent malfunctions, do not leave the system in a car for a long time.
- If the power is supplied through the car battery, the display will be blank with the system turned off (at standby).

Unplug the AC power cord from the system to supply the power through the car battery; otherwise, the system does not work.

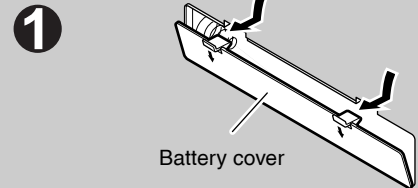
### ■ Connecting the AC power cord



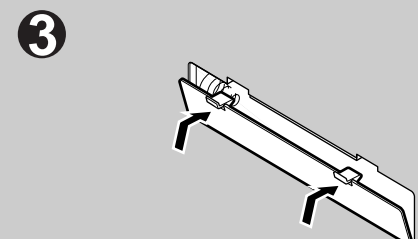
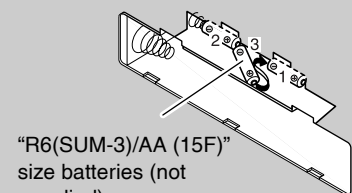
#### CAUTIONS:

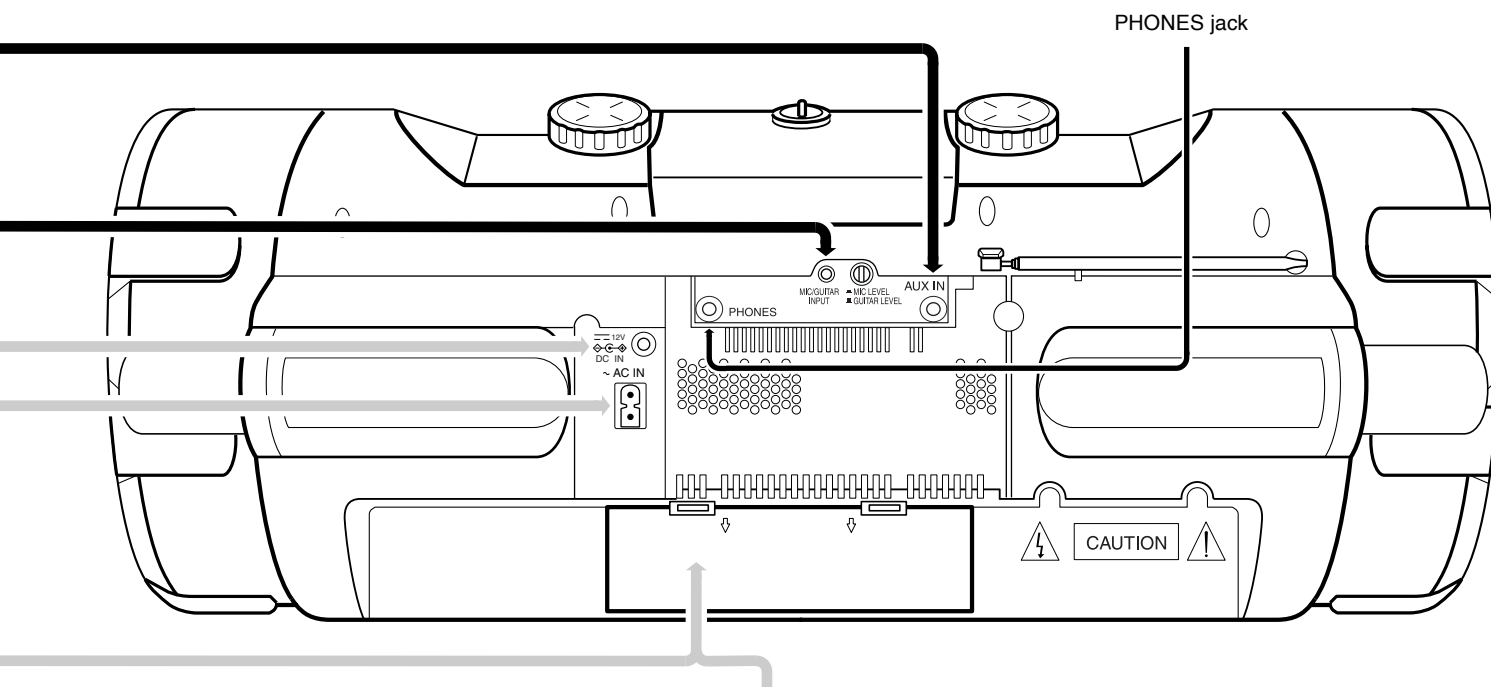
- **ONLY USE THE JVC POWER CORD PROVIDED WITH THIS SYSTEM TO AVOID MALFUNCTION OR DAMAGE TO THE SYSTEM.**
- **BE SURE TO UNPLUG THE POWER CORD FROM THE OUTLET WHEN GOING OUT OR WHEN THE SYSTEM IS NOT IN USE FOR AN EXTENDED PERIOD OF TIME.**

### ■ Memory backup batteries



- 2 Match the polarity (+ and -) on the batteries with the + and - markings in the battery compartment.





To remove the batteries, remove battery “3” first.

#### Notes:

- The memory backup batteries will not be consumed as long as the power is supplied from an AC outlet, loaded 10 batteries, or car battery (DC12V). However, if no power is supplied to the system, the memory backup batteries should be replaced with new ones approximately every 12 months to securely maintain the contents of the memory.
- Before replacing the memory backup batteries, always connect the AC power cord to the system to prevent the contents of memory from being erased.
- When a power failure occurs, the time indication disappears from the display to save the battery power of the memory backup batteries.

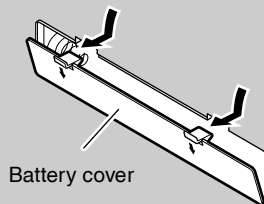
#### CAUTION:

To avoid battery leakage or explosion:

- When you need to replace the batteries, replace all batteries at the same time with new ones. Before replacing, you need to supply AC power to the system.
- Do not use an old battery with new ones.
- Do not use different types of batteries together.

#### ■ Operating the system on batteries

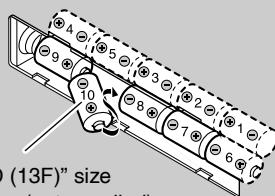
1



Battery cover

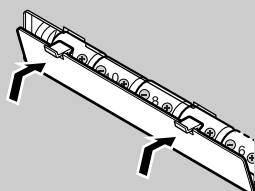
2

Match the polarity (+ and -) on the batteries with the + and - markings in the battery compartment.



“R20/D (13F)” size batteries (not supplied)

3



To remove the batteries, remove battery “10” first.

#### Notes:

- When you operate the system on mains (AC) power or on car battery (DC12V), the power source automatically switches from batteries to AC or DC12V. However, you should remove the 10 batteries when operating on AC power or car battery (DC12V).
- When the batteries are exhausted, the following symptoms will occur:
  - Mistracking occurs during disc playback.
  - Sounds are distorted intermittently during tape playback.
  - “DC OFF” flashes on the display, then the power goes off.
 If this happens, replace the batteries.
- It is recommended to use AC power cord when recording important material or listening to a disc.

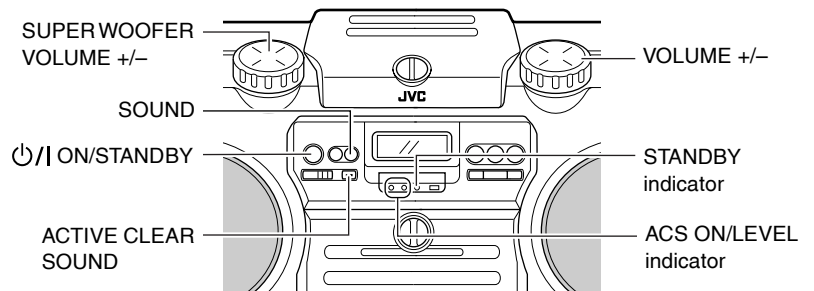
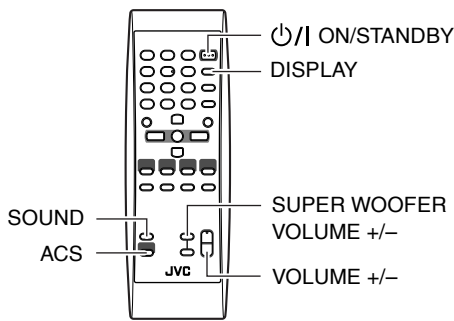
#### CAUTION:

To avoid battery leakage or explosion:

- Remove the 10 batteries when the system is not in use for an extended period of time.
- When you need to replace the batteries, replace all batteries at the same time with new ones.
- Do not use different types of batteries together.
- If the power is supplied through the batteries, the display will be blank with the system turned off (at standby).

**Unplug the AC power cord from the system to supply the power through the batteries; otherwise, the system does not work.**

# Basic operations



## Turning the power on and off

**Note:** The lighting condition for the STANDBY indicator and the display differs depending on the power source.

Power source	STANDBY indicator/display
AC power	<ul style="list-style-type: none"> <li>The STANDBY indicator lights when power is turned off.</li> <li>Backlighting of the display is illuminated when power is turned on.</li> </ul>
Batteries or car battery (DC12V)*	<ul style="list-style-type: none"> <li>The STANDBY indicator does not light.</li> <li>Backlighting of the display is not illuminated.</li> <li>With the system turned off (at standby), no indication is shown on the display.</li> </ul>

\* If no source is playing and no operation is done for about 4 minutes, "DC OFF" starts flashing on the display for about one minute before the system turns off automatically (except when the source is FM/AM or AUX, or when the microphone (or guitar) is used).

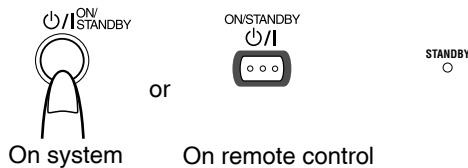
## Turning on the system

**Press** **ON/STANDBY.**

• When the system is operated on batteries or car battery (DC12V), press ON/STANDBY on the system.

The STANDBY indicator goes out when the system is operated on AC power.

The display comes on and the system is ready to continue in the mode it was in when the power was last turned off.

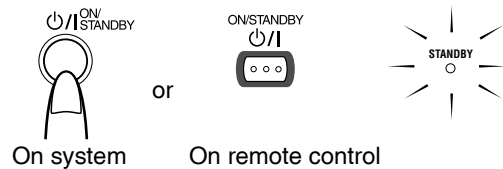


## Turning off the system

**Press** **ON/STANDBY again.**

The STANDBY indicator lights up when the system is operated on AC power.

• When the AC power is used, the CLOCK indicator and the time are displayed without backlighting.



■ Some power is always consumed even though power is turned off (called standby mode).

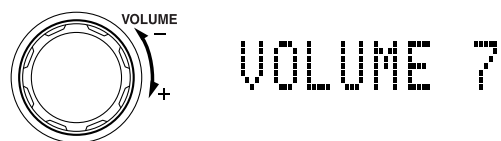
■ To disconnect the system from mains (AC) supply completely, unplug the AC power cord from the AC outlet. When you unplug the AC power cord, the clock will be reset to "AM12:00" if no memory backup batteries are installed.

## Adjusting the volume

You can adjust the volume level between 0 and 50.

## Using the system

Turn the VOLUME +/- control clockwise to increase the volume or turn it counterclockwise to decrease the volume.



## Using the remote control

Press VOLUME + to increase the volume or press VOLUME - to decrease it.

When you press and hold VOLUME + or -, the volume changes rapidly.

**CAUTION: DO NOT start playing any source without first setting the volume to minimum, as a sudden blast of sound can damage your hearing, speakers and/or headphones.**

## For private listening

Connect a pair of headphones to the PHONES jack on the rear of the system (see page 6). No sound comes out of the speakers.

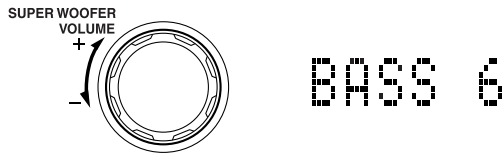
Be sure to turn down the volume before connecting or putting on headphones.

## Adjusting the super woofer volume

During play, you can adjust the bass level between BASS 1 (minimum) and BASS 6 (maximum).

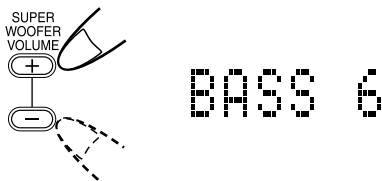
### Using the system

Turn the SUPER WOOFER VOLUME +/- control clockwise to increase the bass level or turn it counterclockwise to decrease the bass level.



### Using the remote control

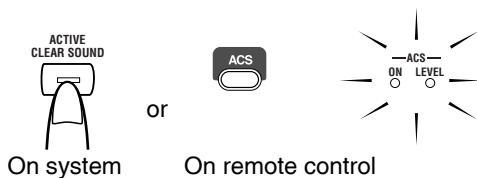
Press SUPER WOOFER VOLUME + to increase the bass level or press SUPER WOOFER VOLUME - to decrease it.



**Note:** This function is not effective when the headphones are in use.

## Activating clear sound

The Active Clear Sound (ACS) circuit emphasize high-frequency sound without lowering the signal-noise ratio, while adjusting its output according to the input signal level. This results in a better balance between the high-frequency sound and the low-frequency heavy bass.



Press ACS (active clear sound) on the system or on the remote control to turn it on or off. When it is turned on, the ACS ON indicator lights in red.

The ACS LEVEL indicator blinks in green according to the input signal level.

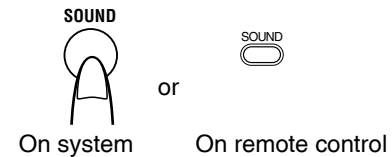
## Selecting the sound mode

Sound modes can be selected to enhance the type of music being played.

Press SOUND to select the sound mode.

Each time you press the button, the sound mode changes as follows:

FLAT → BEAT → POP → CLEAR



### Sound mode selection:

**BEAT:** Set to this position for music with a heavy beat, such as rock and disco music.

**POP:** Set to this position for light music including popular and vocal music.

**CLEAR:** Set to this position for crisp and clear sounding music with transparent highs.

**FLAT (no effect):** Set to this position when listening to classical music.

## Showing the time

While the power is turned on, you can see the current time (clock) at any time, as follows.

### Using the remote control

Press DISPLAY. Each time you press the button, the display changes as follows:

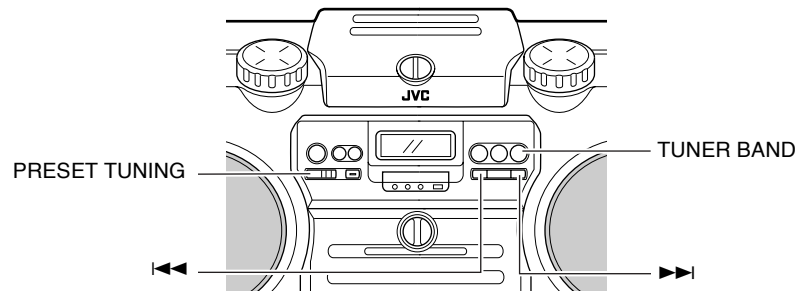
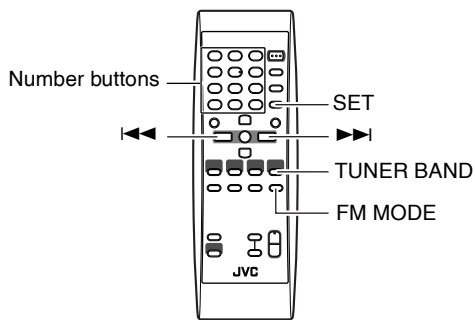
FM 103.5 MHz ↔ AM 1200

The diagram shows a digital display showing 'FM 103.5 MHz' on the left and 'AM 1200' on the right, with a double-headed arrow between them. Above 'AM 1200' is the word 'CLOCK'.

Current sound source (e.g. FM103.5 MHz) → (clock) → (back to the beginning)

**Note:** To let the clock work, you need to set the clock first. (See "Setting the clock" on page 17.)

# Listening to radio



You can listen to FM and AM stations. Stations can be tuned in manually, automatically, or from preset memory storage.

- Before listening to the radio, fully extend the FM telescopic antenna.

## Tuning in to a station

### 1. Press TUNER BAND.

The band and frequency you were last tuned into appear on the display.

Each time you press the button, the band changes as follows:

**FM** → **AM** → (back to the beginning)

### 2. Select a station using one of the following methods.

- When you tune into an FM stereo broadcast, the STEREO indicator lights up and you can hear stereo effect.

**If an FM stereo broadcast is hard to receive or noisy**, press FM MODE on the remote control. The MONO indicator lights up and the sound becomes monaural, but the reception improves. When you tune in to another station, the MONO indicator goes off and stereo effect restores automatically.

**Note: AM broadcasts are monaural.**

- Manual Tuning  
Press **◀◀** or **▶▶** repeatedly to move from frequency to frequency until you find the station you want.  
OR
- Auto Tuning  
Press and hold **◀◀** or **▶▶** for one second or more.  
The frequency changes automatically until a station frequency is found.  
OR
- Preset Tuning (possible only after presetting stations)  
Select the desired preset number (displayed as "P-XX" on the display) using PRESET TUNING on the system or the number buttons on the remote control. After one second, the display will show the band frequency.

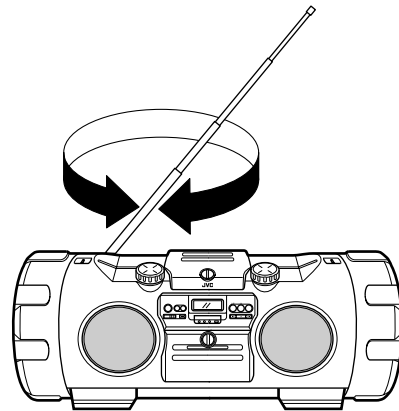
FM P-12 → FM 87.5 MHz  
(After one second)

**PRESET TUNING button:** Each time you press the button, the preset number increases.

**Number buttons:**  
To select P-5, press 5.  
To select P-15, press +10 then 5.  
To select P-20, press +10 once then press 10.

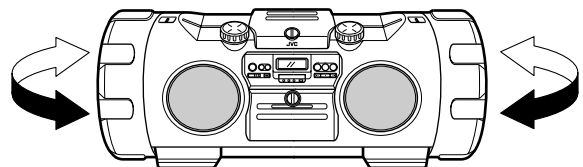
### Notice: To adjust the reception condition

**For FM:** Adjust the FM telescopic antenna's length, angle and direction until the best reception is obtained.



**For AM:** Change the direction of the system to obtain the best reception.

Placing the system near the window, for example, will improve AM reception.



## Presetting stations

You can preset up to 30 FM stations and 15 AM stations.

**Note:** Preset numbers may have been set to factory test frequencies prior to shipment. This is not a malfunction. You can preset the stations you want into memory by following one of the presetting methods below:

### Using the remote control only

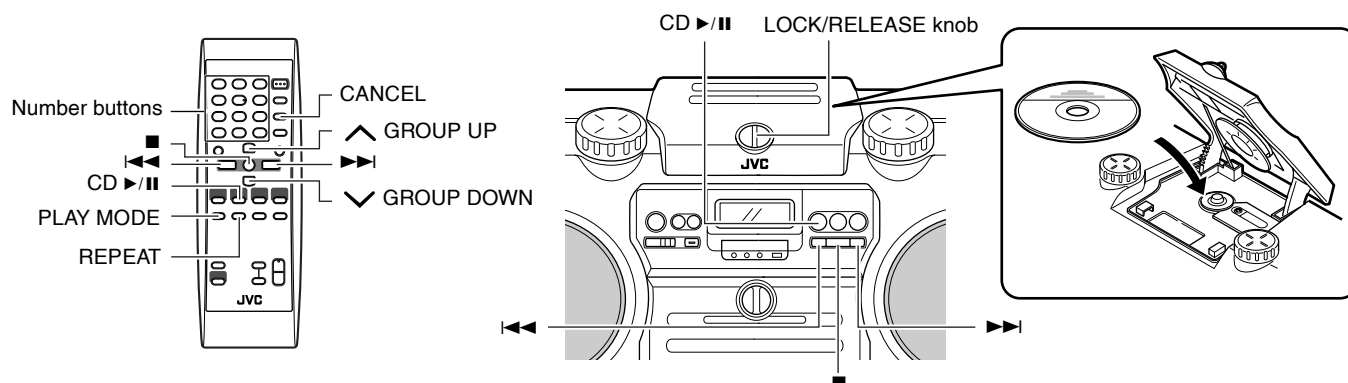
There is a time limit in doing the following steps. If the setting is canceled before you finish, start again from step 3.

- 1. Select a band (either AM or FM) by pressing TUNER BAND.**
- 2. Press ◀◀ or ▶▶ to tune in to a station.**
- 3. Press SET.**  
The preset station number starts flashing.

- 4. Press the number buttons to select the preset number you want.**
- 5. Press SET.**  
“STORED” appears on the display and the station is stored.
- 6. Repeat above steps 1. to 5. for each station you want to store into memory with a preset number.**  
To change the preset stations, repeat the same steps as above to overwrite a new station.

**CAUTION:** To prevent the preset stations from being erased because of a power failure, etc., install memory backup batteries in the system. (See pages 5 and 6.)

## Playing back discs

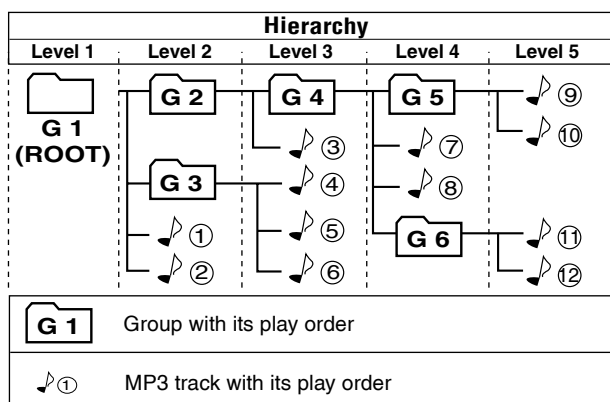


This system has been designed to play back the following discs—CD, finalized CD-R/CD-RW (recorded in audio CD format) and CD-R/CD-RW (in MP3 format).

- This system is not compatible with the other discs such as DVD, DVD-R, and DVD-RW.

### Notes on MP3:

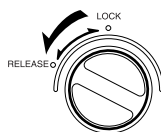
- The system can only recognize files (tracks) with “MP3” or “mp3” as the extensions, which can be in any combination of upper and lower case.
- It is recommended that you record your material at a 44.1 kHz sampling rate, using the 128 kbps data transfer rate.
- You can play back the discs containing the tracks in music CD format or MP3 files in ISO 9660 format.
- Some MP3 tracks or discs may not be played back because of their characteristics or recording conditions.
- MP3 discs require a longer readout time than normal discs.



- This system recognizes up to 999 tracks on a disc (or less depending on the recording condition of a disc).

## Setting a disc

- 1. Turn the LOCK/RELEASE knob counterclockwise to open the disc compartment door.**



- 2. Place a disc, with its label side up as shown above.**
- 3. Close the disc compartment door and turn the knob to “LOCK” position.**

To remove the disc, open the disc compartment door in stop mode.

- You can place an 8 cm disc without an adapter.
- If the disc cannot be read correctly (because it is scratched, for example), “NO PLAY” or “NO DISC” appears on the display.
- You can place a disc while listening to the other source.

## Using the disc player—Normal Play

### To play a disc

#### 1. Set a disc.

#### 2. Press CD ►/II.

The first track of the disc starts playing.

##### For CDs:

Track number 1 Playback time 005

##### For MP3 discs:

MP3 indicator ●MP3 27 009

- When playing an MP3 disc, the file name (then ID3 Tag if any) is displayed at the beginning of each track.
- If no disc is inserted, “NO DISC” appears on the display and the system remains in stop mode.
- The system automatically stops when the last track of the disc has finished playing.

To stop playing the disc, press ■.

The following information for the disc is displayed.

##### For CDs:

Total track number 18 Total playback time 5045

##### For MP3 discs:

Total group number\* G30 Total track number T110  
MP3 indicator ●MP3

\* If a disc includes more than 99 groups, “G – –” will appear on the display.

To pause, press CD ►/II. The playback time blinks on the display.

To cancel pause, press the same button again. Playback continues from the point where it was paused.

**Note:** Do not turn the LOCK/RELEASE knob during playback.

### Skip Play

During playback, press I◀◀ or ▶▶I to select the track you want to play.

- Press ▶▶I once to skip to the beginning of the next track.
- Press I◀◀ to skip to the beginning of the track being played. Press I◀◀ twice quickly to skip to the beginning of the previous track.

You can also select a track in stop mode with the same buttons.

**For CD:** Selected track and its playback time are shown on the display.

**For MP3:** Group and track numbers (then ID3 Tag if any) are shown on the display.

To start playback, press CD ►/II.

### Search Play

Press and hold I◀◀ or ▶▶I, during playback, will fast forward/backwards the disc so you can quickly find a particular passage in the track you are listening to. During search play, you can hear the sound of approx. one forth level.

### To locate a track directly using the remote control only

Press the number buttons to directly play a track.

- To directly play track 5, press 5.
- To directly play track 15, press +10 then 5.
- To directly play track 20, press +10 once then press 10.

#### (Only for MP3 discs)

- To directly play track 109, press +100 once then press 9.
- To directly play track 125, press +100, +10, +10 then 5.

### To select a group (for MP3 disc) using remote control only

While playing an MP3 disc, press ^ GROUP UP or

∨ GROUP DOWN to select the group you want to play.

- Press ^ GROUP UP to skip to the next group.
- Press ∨ GROUP DOWN to skip to the previous group.

You can also select a group in stop mode with the same buttons.

To play the group after selection, press CD ►/II.



## Programming the playing order of the tracks

### Using the remote control

- You can program up to 50 tracks in any desired order including the same tracks.
- You can only make a program when the system is stopped.
- While making a program, you cannot specify a group number to select a track.

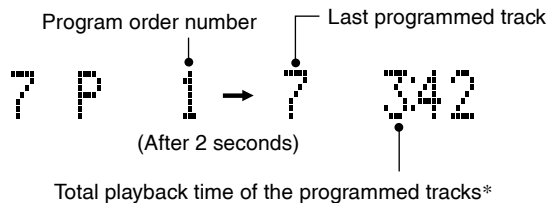
- Set a disc.**
- Press CD ►/II.**
- Press ■ to stop the disc.**
- Press PLAY MODE repeatedly to select "PROGRAM".**

The system enters the programming mode and the PRGM indicator lights up.

- Press the number buttons to select the track to program.**

- For detailed operations, see "To locate a track directly using the remote control only" on page 11.

**Example:** for track 7, press 7.



- \* Total playback time will not appear while making a program using an MP3 disc.

- Repeat step 5. to select other tracks for the program.**

- To cancel the last track programmed, press CANCEL once.

- Press CD ►/II.**

The system plays the tracks in the order you have programmed them.

- You can skip to a particular program track by pressing ◀◀ or ▶▶ during program play.

#### While stopped:

- To confirm the programmed tracks,** press ◀◀ or ▶▶ repeatedly; the tracks making up the program will successively be displayed in the programmed order.
  - To add a track to the end of the program, simply press the number buttons.
- To delete the tracks in the program,** press CANCEL repeatedly. Each time you press the button, the last track will be erased.
- To delete the entire program,** press and hold CANCEL until "CLEAR!" appears on the display.
  - Turning off the power will clear the program.
- To exit from program mode,** press PLAY MODE repeatedly until the track number and total playback time appear on the display.

Each time you press the button, the play mode changes as follows:  
Normal play → PROGRAM → RANDOM → (back to the beginning)

#### Note:

(For CDs) If the total playback time of the programmed tracks exceeds 99 minutes 59 seconds, "-- : --" will appear on the display.

## Random play

The tracks will play in no special order when you use this mode.

### Using the remote control

- Set a disc.**
- Press CD ►/II.**
- Press ■ to stop the disc.**
- Press PLAY MODE repeatedly to select "RANDOM".**

The RANDOM indicator lights up on the display.

- Press CD ►/II.**

The tracks are played in random order once.

**To skip a track during playback,** press ▶▶ to skip to another track in the random sequence. The ◀◀ button works only to go back to the beginning of the current track.

#### While stopped:

- To exit from random mode,** press PLAY MODE repeatedly until the track number and total playback time appear on the display.

Each time you press the button, the play mode changes as follows:

Normal play → PROGRAM → RANDOM → (back to the beginning)

## Repeating tracks

You can repeat the tracks or individual track as many times as you like.

### Using the remote control

#### Press REPEAT.

Each time you press the button, repeat indicator changes as follows:

- Repeat mode remains in effect even when you change the play mode.

#### For CDs:

◀ ALL → ◀ → canceled → (back to the beginning)

◀ ALL : Repeats all the tracks on the disc.

◀ : Repeats the current track.

#### For MP3 discs:

◀ ALL → ◀ GROUP → ◀ → canceled → (back to the beginning)

◀ ALL : Repeats all the tracks on the disc.

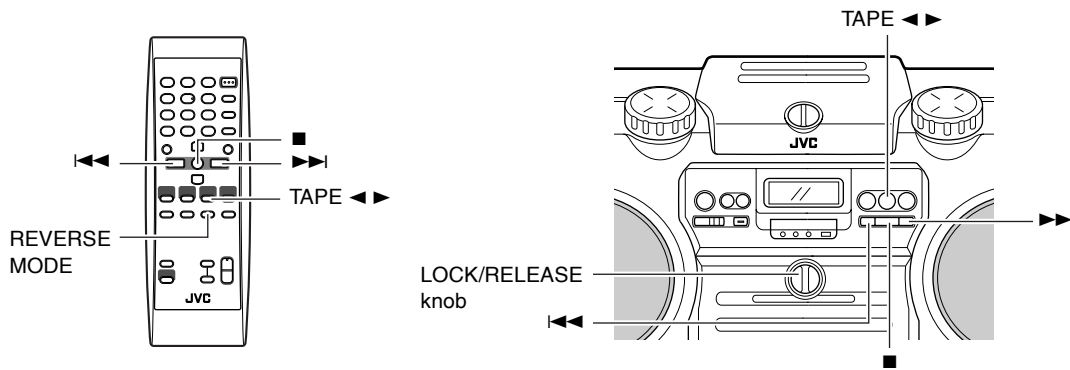
◀ GROUP : In normal play mode, repeats all the tracks in a group.

In program and random play modes, group repeat cannot be selected.

◀ : Repeats the current track.

**To exit from repeat mode,** press REPEAT until the repeat indicator on the display goes out.

# Playing back tapes

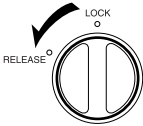


With automatic tape direction, you can listen to type I or II tapes without having to change any settings.

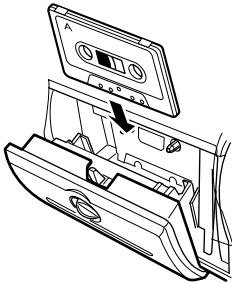
The use of tapes longer than 120 minutes is not recommended, since characteristic deterioration may occur and these tapes easily jam in the pinch-rollers and the capstans.

## Regular play

1. Turn the **LOCK/RELEASE knob** counterclockwise to open the cassette holder.



2. Put the cassette in, with the side you want to listen facing you.



3. Close the holder gently and turn the knob to **"LOCK"** position.

4. Press **TAPE** ◀▶.

The tape is played in the direction shown by the tape direction indicator.

▶ **(Forward playback):** The side of the tape facing you is played back.

◀ **(Reverse playback):** The opposite side of the tape is played back.

5. If you need to change the playback direction, press **TAPE** ◀▶.

The opposite side tape direction indicator lights up and the tape playback direction changes.

To stop playing, press ■.

To remove the tape, stop the tape, and open the cassette holder by turning the LOCK/RELEASE knob to the "RELEASE" position.

### Notes:

- Do not turn the LOCK/RELEASE knob during playback.
- When no tape is loaded in the deck, "NO TAPE" appears on the display.

## To fast-wind/rewind a tape

Press ▶▶ or ◀◀ to fast-wind/rewind the tape.

- The cassette deck automatically stops when the tape reaches its end.

## Reverse mode

You can set a tape to play just one side, both sides in succession, or both sides continuously.

### Using the remote control

#### Press REVERSE MODE.

Each time you press the button, reverse mode indicator changes as follows:

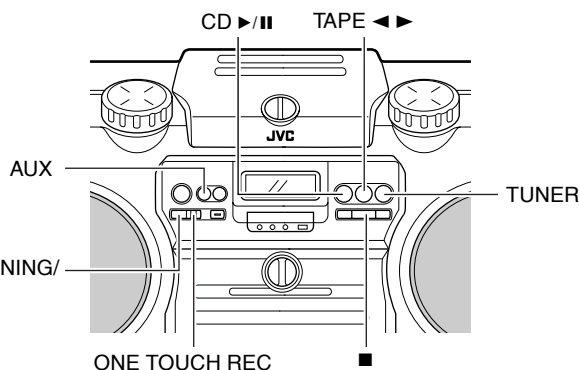
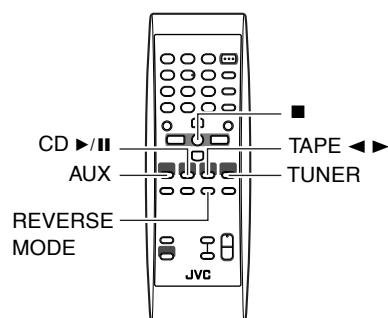
→ → → (↔) → (↔) → (back to the beginning)

↔ : The cassette deck automatically stops after playing one side of the tape.

↔ : The cassette deck automatically stops when playback in the reverse (◀) direction is finished.

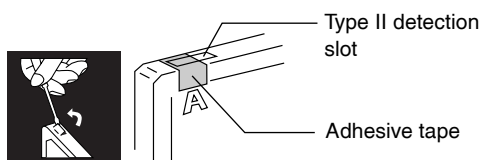
↔ : The cassette deck continues to play both sides of the tape until the ■ button is pressed.

# Recording



## Things to know before you start recording

- It should be noted that it may be unlawful to re-record pre-recorded tapes, records, or discs without the consent of the owner of copyright in the sound or video recording, broadcast or cable programme and in any literary, dramatic, musical, or artistic work embodied therein.
- When you want to record onto both sides of a tape, you can set reverse mode to . Recording automatically stops after recording in the reverse (◀) direction. Therefore, make sure that the tape direction is forward (▶) when recording with reverse mode is on.
- The recording level is automatically set correctly, so it is not affected by the VOLUME control on the system or by adjusting the sound effects. Thus, during recording you can adjust the sound you are actually listening to without affecting the recording level.
- Two small tabs on the back of the cassette tape, one for side A and one for side B, can be removed to prevent accidental erasure or recording.
- To record on a cassette with the tabs removed, you must cover the holes with adhesive tape first. However, when a type II tape is used, only cover part of the hole as shown, since the other part of the hole (type II detection slot) is used to detect the tape type.



- Type I and type II tapes can be used for recording.

### Note:

At the start and end of cassette tapes, there is leader tape which cannot be recorded onto. Thus, before recording, wind on the leader tape first to ensure getting the beginning of the recording.

**CAUTION: If a recording you make has excessive noise or static, the system may have been too close to a TV which was on during the recording. Either turn off the TV or increase the distance between the TV and the system.**

## Standard recording

You can record any sound source to tape.

The sources are disc, tuner, auxiliary equipment, microphone, and guitar. The microphone sound and guitar sound can be mixed with any source.

### 1. Insert a blank or erasable cassette tape into the cassette deck.

Be sure that the tape direction indicator and the tape insertion direction are as follows:

#### [Forward and reverse recording]

Tape direction indicator	Tape insertion direction
▶ (Forward)	 * Recording will be made on the tape side facing you. (Front view)
◀ (Reverse)	 * Recording will be made on the opposite side of the tape. (Front view)

- If the tape direction ◀ (reverse) is lit, press TAPE ◀▶ to change the direction. (In this case, since the tape play starts, you need to press ■. Then, press ◀◀ to rewind the tape up to the end point of the leader tape which cannot be recorded onto.)
- If the inserted tape is not fully rewound, press ◀◀ to rewind the tape up to the end point of the leader tape which cannot be recorded onto.

### 2. If you want to record on both sides of the tape, press REVERSE MODE on the remote control to set the cassette deck in reverse mode.

Press the button until “” is lit.

### 3. Prepare the source, for example, tuning in to a radio station, or turning on the connected auxiliary equipment.

**Note:** For disc recording, refer to “Disc direct recording” described on page 15.

#### 4. Press ONE TOUCH REC on the system.

- The **REC** indicator lights up and the system starts recording.
- If the tab of the cassette tape is removed to protect erasure or recording, recording does not start.

**Tips:** When you want to record on both sides of the tape, start recording from the forward direction.

To stop at any time during the recording process, press ■.

#### Recording an AM station on a tape

When recording an AM broadcast, beats may be produced which are not heard when listening to the broadcast. If this happens, press BEAT CUT to eliminate the beats.

1. Set to AM station and start recording.
2. Press BEAT CUT to eliminate the beats.

Each time you press the button, the display changes as follows:  
**B.CUT-1** → **B.CUT-2** → **B.CUT-3** → **B.CUT-4** → (back to the beginning)

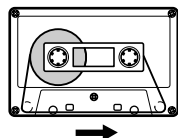
## Disc direct recording

Everything on the disc goes onto the tape in the order it is on the disc, or according to the order you have set in a program.

#### 1. Insert a blank or erasable cassette tape into the cassette deck.

Be sure that the tape direction indicator and the tape insertion direction are as follows:

[Forward recording]

Tape direction indicator	Tape insertion direction
▶ (Forward)	 (Front view)
* Recording will be made on the tape side facing you.	

#### 2. If you want to record on both sides of the tape, press REVERSE MODE on the remote control to set the system in reverse mode.

Press the button until “↔” is lit.

#### 3. Set a disc.

#### 4. Press CD ▶/II.

#### 5. Press ■.

- If you want to record specific tracks only, program the tracks first. You can check their total playback time on the display during programming. (See page 12.)

#### 6. Choose whether to have pauses between tracks.

- If nothing is done, a non-recorded pause of about four seconds will be automatically made between tracks.
- If you do not want pauses between tracks, press CD ▶/II twice to enter pause mode—only possible with CDs.

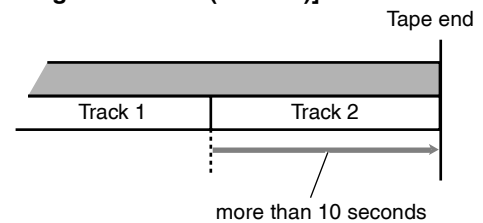
#### 7. Press ONE TOUCH REC on the system.

The **REC** indicator lights up and the cassette deck starts recording.

- When the tape reaches its end at the middle of a song in the forward direction (▶), the recording in the reverse direction (◀) will start from the beginning of that track (or previous track). See diagram below.

Ex.: Case 1

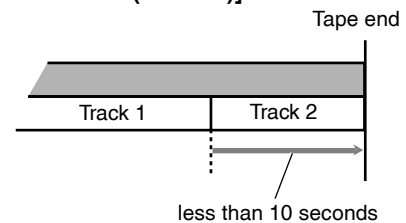
[Recording direction ▶ (forward)]



\* The recording in reverse side (◀) starts from the beginning of track 2.

Ex.: Case 2

[Recording direction ▶ (forward)]



\* The recording in reverse side (◀) starts from the beginning of track 1.

- After the disc player has played the entire disc, or all the programmed tracks, the tape automatically stops.
- Recording will also stop when the end of the reverse side (◀) is reached (even if the disc play is not yet over).

To stop at any time during the recording process, press ■.

The tape stops after four seconds.

**Note:**

When making SLEEP timer settings while performing disc direct recording, set enough time to allow the disc to finish playing; otherwise, the power will go off before recording is completed.

## One Track Recording

You can record the current track being played.

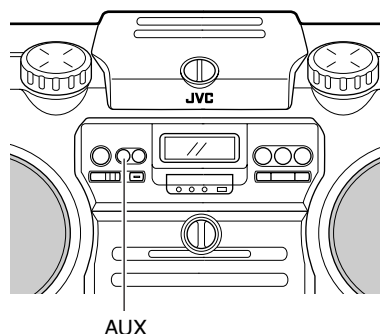
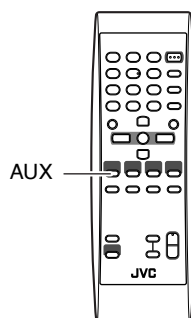
#### 1. Insert a blank or erasable cassette tape into the cassette deck.

#### 2. Play the track you wish to record.

#### 3. Press ONE TOUCH REC on the system.

The disc player returns to the beginning of that track and the track is recorded on the tape. After recording, the disc player and the cassette deck automatically stop.

# Listening to an auxiliary equipment



## Listening to external equipment

You can listen to an auxiliary equipment.

- First make sure that the auxiliary equipment is properly connected to the system. (See page 5.)

### 1. Set the volume level to minimum.

### 2. Press AUX.

“AUX” appears on the display.

AUX

- To listen to the auxiliary equipment, start playing the auxiliary equipment.

### 3. Adjust the volume to the desired listening level.

### 4. Apply sound effects, if you wish.

- Adjust the super woofer volume to reinforce the bass sound.

**Note:** For operation of the auxiliary equipment, refer to its instructions.

# Using the microphone/guitar

## Microphone/guitar mixing

Using a microphone or a guitar (not supplied), you can mix its sound with a source sound.

### 1. Make sure the MIC/GUITAR LEVEL control on the rear of the system is properly set.

- When using a microphone, make sure the knob is pressed in (■).
- When using a guitar, make sure the knob is released (■).

### 2. Set the MIC/GUITAR LEVEL control to MIN by turning it fully counterclockwise.

### 3. Connect a microphone or a guitar into the MIC/GUITAR INPUT jack on the rear of the system.

### 4. Start a source: disc, tape, tuner, or other equipment.

### 5. Adjust the VOLUME +/- control and the MIC/GUITAR LEVEL control, as you play the microphone or the guitar.

**CAUTION: DO NOT connect a bass guitar to the MIC/GUITAR INPUT jack, as it may damage the system.**

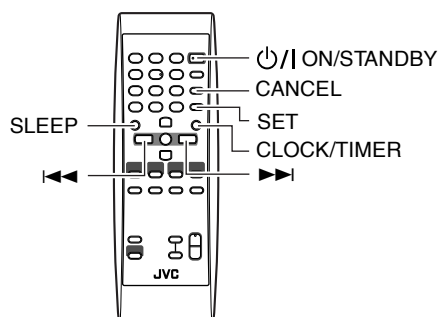
## Recording microphone or guitar mixing on a tape

### 1. Follow the above steps 1. - 5.

### 2. To record, follow the steps in “Standard recording”. (See page 14.)

**Note:** If “howling” occurs when using the microphone, keep the microphone away from the speaker.

# Using the timer



The timers let you control the listening and recording functions automatically.

## Setting the clock

When the power is first supplied, the CLOCK indicator and "AM12:00" blink on the display. Set the clock.

### Note:

The clock must be correctly set for the timers to work.

### Using the remote control only

#### 1. Press **ON/STANDBY**.

#### 2. Press **CLOCK/TIMER** repeatedly until the **CLOCK** indicator lights up.

The hour digit blinks on the display.

#### 3. Press **▶▶** or **◀◀** to select the hour.

When you press and hold the button, the hour digit changes continuously.

#### 4. Press **SET** to set the hour.

The minutes digits start flashing on the display.

#### 5. Press **▶▶** or **◀◀** to select the minute.

When you press and hold the button, the minute digit changes continuously.

#### 6. Press **SET** to finish setting the clock.

**CAUTION:** If memory backup batteries are exhausted or not installed, and the AC power cord is plugged in again after being disconnected, or power is restored after a power failure, the **CLOCK** indicator will blink on the display. Set the current time (clock) again.

## Setting the sleep timer

Use the sleep timer to turn the system off after a certain number of minutes when it is playing. By setting the sleep timer, you can fall asleep to the music and know that your system will turn off by itself rather than playing all night.

- You can set the sleep timer only when the system is turned on.

### Using the remote control only

#### 1. Press **SLEEP**.

The SLEEP indicator lights up on the display.



#### 2. Set the length of time you want the source to play before shutting off.

- Each time you press the button, it changes the number of minutes shown on the display in this sequence:  
10 → 20 → 30 → 60 → 90 → 120 → OFF → (back to the beginning)

After setting the number of minutes for the sleep timer, the indication will stop blinking and goes off.

The system is now set to turn off after the number of minutes you set.

#### To confirm the sleep time:


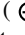

When SLEEP is pressed, the remaining sleep time is displayed. Wait until the display returns to the original display.

#### To cancel the sleep timer:

Press SLEEP repeatedly to select "OFF". Turning off the system also cancels the sleep timer.

## Setting the daily timer

Once the timer has been set, it will be activated at the same time everyday until the timer is turned off. Recording timer works only one time.

- While the timer is being set, the timer indicator (  ) lights up.
- While the timer has been set, the timer indicator (  ) also lights up if the power is supplied through the AC outlet.
- While the timer is working, the timer indicator (  ) blinks.

### Using the remote control only

#### 1. Press / I ON/STANDBY.

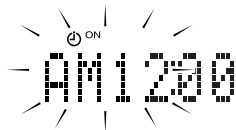
#### 2. Press CLOCK/TIMER.

“TIMER ON?” appears.

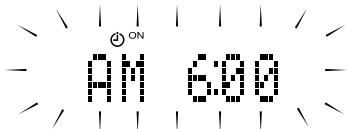
- Press SET to activate the timer setting you have made before.
- Press CANCEL to cancel the timer.
- Go to the next step to reset the timer (or set the timer first time).



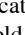
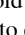
#### 3. Press CLOCK/TIMER again, so that the timer indicator ( ) and ON indicator light up.

The hour digit of the current ON time blinks on the display.

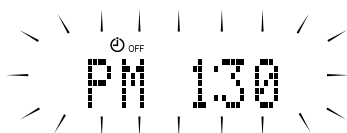




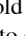
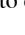
#### 4. Set the on-time you want the system to turn on.



- (1) Press  or  to select the hour, then press SET.
  - (2) Press  or  to select the minute, then press SET.  
The OFF indicator lights up.
- Press and hold the button will change the time rapidly.
  - If you want to change the time setting, press CANCEL.

#### 5. Set the OFF time (example: PM1:30).



- (1) Press  or  to select the hour, then press SET.
  - (2) Press  or  to select the minute, then press SET.  
• Press and hold the button will change the time rapidly.
- If you want to change the time setting, press CANCEL.

#### 6. Press or to select the music source you want to listen to, then press SET.

Each time you press the button, the display changes as shown below:

TUNER → TU→TAPE → CD → TAPE → (back to the beginning)

When you select the “TU→TAPE”;

- The REC indicator appears on the display.
- The timer will be canceled after tuner recording has been finished.

#### 7. Press or to select the volume level, then press SET.

-- : The current volume level will be used.

0 to 50 : When the timer is turned on, the volume will be automatically set to the selected level.

VOLUME 15

- The current timer setting appears for confirmation.

#### 8. Before turning off the system, prepare the music source selected in step 6.

TUNER : Tune into the desired station.

TU→TAPE : The last tuned station will be recorded. Insert a cassette tape for recording the station.

CD : Set a disc.

TAPE : Insert a tape.

#### 9. Press / I ON/STANDBY to turn off the system.

- When the timer turns on, the volume level gradually increases from 0 (zero) to the preset level in step 7.  
However, if the volume has been set to “--”, the volume level will be set to the last level directly.

To cancel the operation, press CLOCK/TIMER until the display returns to the original one.

To cancel the timer, press CLOCK/TIMER once, then press CANCEL. (“TIMEROFF” appears, only when power is on.)

To reactivate (or confirm) the canceled timer, press CLOCK/TIMER once, then press SET. (The current timer setting appears for confirmation.)

#### Notes:

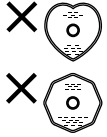
- The timer cannot be set if on-time and off-time are the same.
- The timer does not work if the system is not in the standby mode (the system needs to be in standby mode at least one minute before the on-time).

**CAUTION: If memory backup batteries are exhausted or not installed, and the AC power cord is disconnected or there is a power failure, time settings will be erased from memory. If this happens, set the current time (clock) and perform the timer setting again.**

# Care and maintenance

Handle your discs carefully, and they will last a long time.

## Compact discs



- Only discs bearing this mark can be used with this system. However, continued use of irregular shape discs (heart-shape, octagonal, etc.) can damage the system.



- Remove the disc from its case by holding it at the edges while pressing the case's center hole lightly.
- Do not touch the shiny surface of the disc, or bend the disc.



- Put the disc back in its case after use to prevent warping.
- Be careful not to scratch the surface of the disc when placing it back in the case.
- Avoid exposure to direct sunlight, temperature extremes, and moisture.



- A dirty disc may not play correctly. If a disc does become dirty, wipe it with a soft cloth in a straight line from center to edge.

**CAUTION: Do not use any solvent (for example, conventional record cleaner, spray thinner, benzene, etc.) to clean a disc.**

## General notes

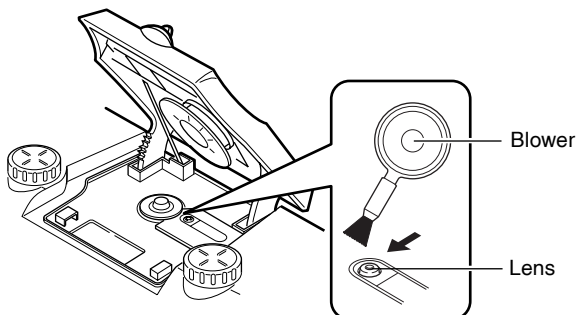
In general, you will have the best performance by keeping your discs and the mechanism clean.

- Store discs in their cases, and keep them in cabinets or on shelves.
- Keep the disc compartment door closed when not in use.

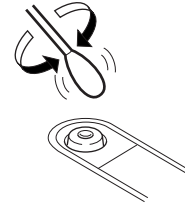
## Cleaning the lens

If the lens in the pickup is dirty, dropout, etc., could degrade sound. Open the disc compartment door and clean the lens as shown.

- Use a blower (available from a camera store) to blow dust off the lens.



- If there are fingerprints, etc. on the lens, gently wipe clean with a cotton swab.



## Moisture condensation

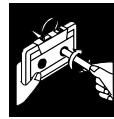
Moisture may condense on the lens inside the system in the following cases:

- After turning on heating in the room.
- In a damp room.
- If the system is brought directly from a cold to a warm place.

Should this occur, the system may malfunction. In this case, leave the system turned on for a few hours until the moisture evaporates, unplug the AC power cord, and then plug it in again.



## Cassette tapes



- If the tape is loose, it may get stretched, cut, or caught in the cassette. Take up the slack by inserting a pencil in one of the reels and rotating.



- Do not touch the tape surface.



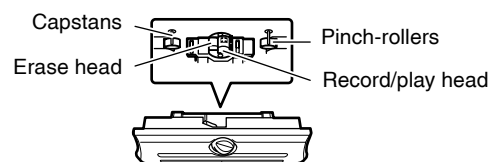
- Do not store the tape:
  - In dusty places
  - In direct sunlight or heat
  - In moist areas
  - On a TV or speaker
  - Near a magnet

## Cassette deck

- If the heads, capstans, or pinch-rollers of the cassette deck become dirty, the following may occur:

- Loss of sound quality
- Discontinuous sound
- Fading
- Incomplete erasure
- Difficulty recording

- Clean the heads, capstans, and pinch-rollers using a cotton swab moistened with alcohol.

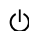


- If the heads become magnetized, the system will produce noise or lose high frequency notes.
- To demagnetize the heads, turn off the system, and use a head demagnetizer (available at electronics and record shops).



# Troubleshooting

- If you are having a problem with your system, check this list for a possible solution before calling for service.
- If you cannot solve the problem from the hints given here, or the system has been physically damaged, call a qualified person, such as your dealer, for service.

Symptom	Possible cause	Action
Power does not come on.	The power cord is not connected to an AC outlet.	Insert the plug into the socket.
No sound is heard.	<ul style="list-style-type: none"> <li>• Connections are incorrect, or loose.</li> <li>• Headphones are connected.</li> <li>• MP3 disc is recorded with "packet writing."</li> </ul>	<ul style="list-style-type: none"> <li>• Check all connections and make corrections. (See page 5.)</li> <li>• Disconnect the headphones.</li> <li>• It cannot be played. Replace the disc.</li> </ul>
Poor FM reception.	The FM telescopic antenna is not properly extended and positioned.	Fully extend the FM telescopic antenna and turn it for the best reception.
The track skips.	The disc is dirty or scratched.	Clean or replace the disc.
The disc does not play ("NO PLAY" or "NO DISC" appears).	<ul style="list-style-type: none"> <li>• The disc is upside down.</li> <li>• The disc is dirty or scratched.</li> </ul>	<ul style="list-style-type: none"> <li>• Put the disc in with the label side up.</li> <li>• Change the disc.</li> </ul>
Specific files (tracks) on an MP3 disc are not played.	Files other than MP3 are included in the disc.	They cannot be played.
Unable to record.	Cassette record protect tabs are removed.	Cover the holes on the back edge of the cassette with tape.
Unable to operate the remote control.	<ul style="list-style-type: none"> <li>• The path between the remote control and the sensor on the system is blocked.</li> <li>• The batteries have lost their charge.</li> </ul>	<ul style="list-style-type: none"> <li>• Remove the obstruction.</li> <li>• Replace the batteries.</li> </ul>
Operations are disabled.	The built-in microprocessor has malfunctioned due to external electrical interference.	Unplug the system then plug it back in after a few minutes.
The cassette holder cannot be opened.	During tape play, the power cord has been unplugged.	Plug in the power cord and press the  /ON/STANDBY button.
Indicators and the display do not light up while in standby mode.	Batteries or DC power is used to supply the power.	

# Specifications

## Amplifier

### Output Power

6 W per channel, min. RMS, at 4  $\Omega$  from 150Hz to 15kHz with no more than 10% total harmonic distortion.

20 W per channel woofer, min. RMS into 4  $\Omega$  at 60 Hz with no more than 10% total harmonic distortion.

### Input Sensitivity/Impedance (1 kHz)

AUX IN 300 mV/47 k $\Omega$

### MIC/GUITAR INPUT: Switchable

MIC 200  $\Omega$  – 2 k $\Omega$  (6.3 mm dia. plug)

GUITAR 100 k $\Omega$  – 1 M $\Omega$  (6.3 mm dia. plug)

### Output Sensitivity/Impedance (1 kHz)

Phones 16  $\Omega$  – 1 k $\Omega$

0 – 12 mW/ch output into 32  $\Omega$

## Cassette Deck

### Frequency Response

Type II (High position) 60 Hz – 14 kHz

Wow and Flutter 0.15% (WRMS)

## Disc Player

Dynamic range 90 dB

Signal-to-noise ratio 95 dB

Wow and Flutter Unmeasurable

## Tuner

### FM Tuner

Tuning Range 87.5 MHz – 108.0 MHz

### AM Tuner

Tuning Range 530 kHz – 1 710 kHz

### Antenna

FM telescopic antenna

Ferrite core antenna for AM

## Speakers

Full range 8 cm (3 – 3/16")  $\times$  2, 4  $\Omega$

Super woofer 16 cm (6 – 5/16")  $\times$  2, 4  $\Omega$

## General

Dimensions 690 mm  $\times$  239 mm  $\times$  296 mm (W/H/D)  
(27 – 3/16"  $\times$  9 – 7/16"  $\times$  11 – 11/16")

Mass 9.5 kg (21 lbs) (without batteries)

10.6 kg (23.4 lbs) (with batteries)

## Power Specifications

Power Requirements AC 120 V  $\sim$ , 60 Hz

DC15V ("R20/D (13F)" batteries (10))

External DC12V (car battery via optional CA-R120 car adapter)

Power Consumption 50 W (power on mode)

1.6 W (in standby mode)

Design and specifications are subject to change without notice.

**RV-NB1**

**POWERED WOOFER CD SYSTEM**

**JVC**